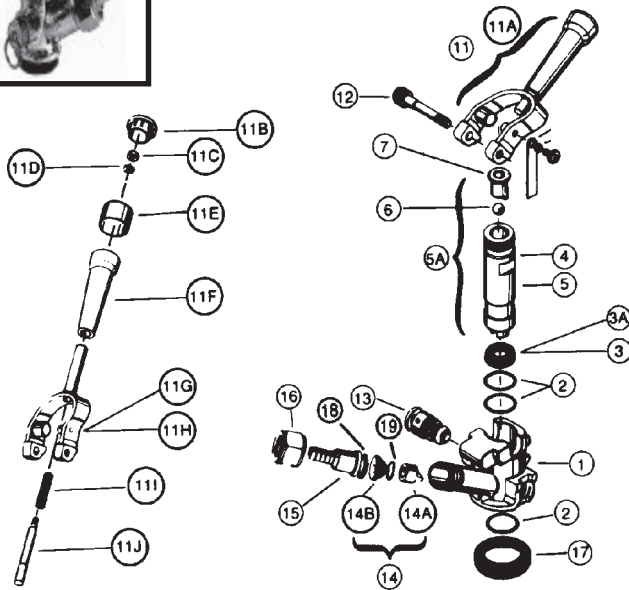


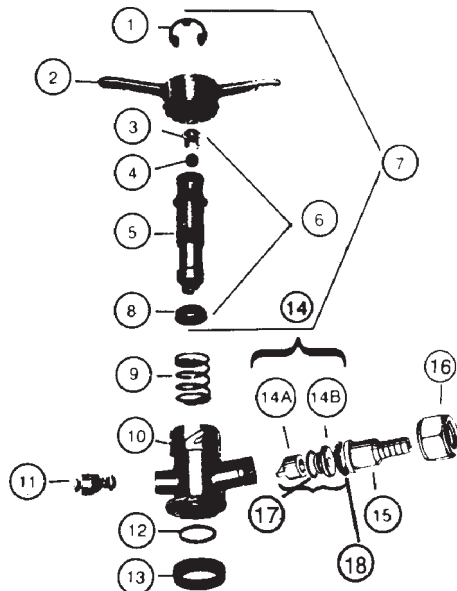
SINGLE VALVE TAPS

FT45 & FT45L



- 2 FT84-2J Probe and Gas Shutoff Rings (3)
- 3 FT40-15 Probe Washer
- 3A FT84-2FE European Probe Washer
- 4 FT45-9AB Probe
- 4A FT45-9 Probe Assembly (Probe, Ball Ck., Retainer and Probe Washer)
- 5 FT46-9 European Probe
- 6 FT84-2DR Probe Ball Check Valve
- 7 FT85-113 Probe Check Valve
- 11 FT45-8NA Handle and Yoke Assembly
- 11A FT46-8A European Handle Assembly
- 11B FT45-8-6 Handle Cap
- 11C 1600-10 Handle Shaft Nut
- 11D FT45-8-4 Handle Shaft Washer
- 11E FT45-8-301 White Color I.D. Ring
- 11F FT45-8-3N White Handle
- 13 440-19L-60 Safety Assembly
- 14 FT86-20A Pressure Line Check Valve Assy
- 14A 752 Pressure Line Check Valve
- 14B FT86-20 Pressure Line Check Valve Ret.
- 15 526E Brass Pressure Inlet for Nipple
- 16 874 Hex Nut
- 17 FT84-2A Body Washer
- 18 759 Beer Washer
- 19 FT86-21 O-Ring

FT86 & FT86P



- 1 FT85-114 Handle Retainer Ring
- 2 FT85-8PA Handle
- 3 FT85-113 Ball Retainer
- 4 FT84-2DR Ball
- 5 FT84-2E Probe O-Rings
- 6 FT85-9GB Probe Assembly
- 7 FT85-9GBA Handle and Probe Assembly
- 8 FT40-15 Probe Washer
- 9 FT84-3 Spring
- 11 440-19L-60 Safety Assembly
- 12 FT84-2J Gas Shut-off O-Ring
- 13 FT84-2A Body Washer
- 14 FT86-20A Pressure Line Chk. Valve Assy
- 14A 752 Pressure Line Chk. Valve
- 14B FT86-20 Pressure Line Chk. Valve Retainer
- 15 526E Pressure Inlet Nipple
- 16 874 Hex Nut
- 17 759 Beer Washer
- 18 FT86-21 O-Ring