



MULTIPLEX[®]

Beverage Master Parts List

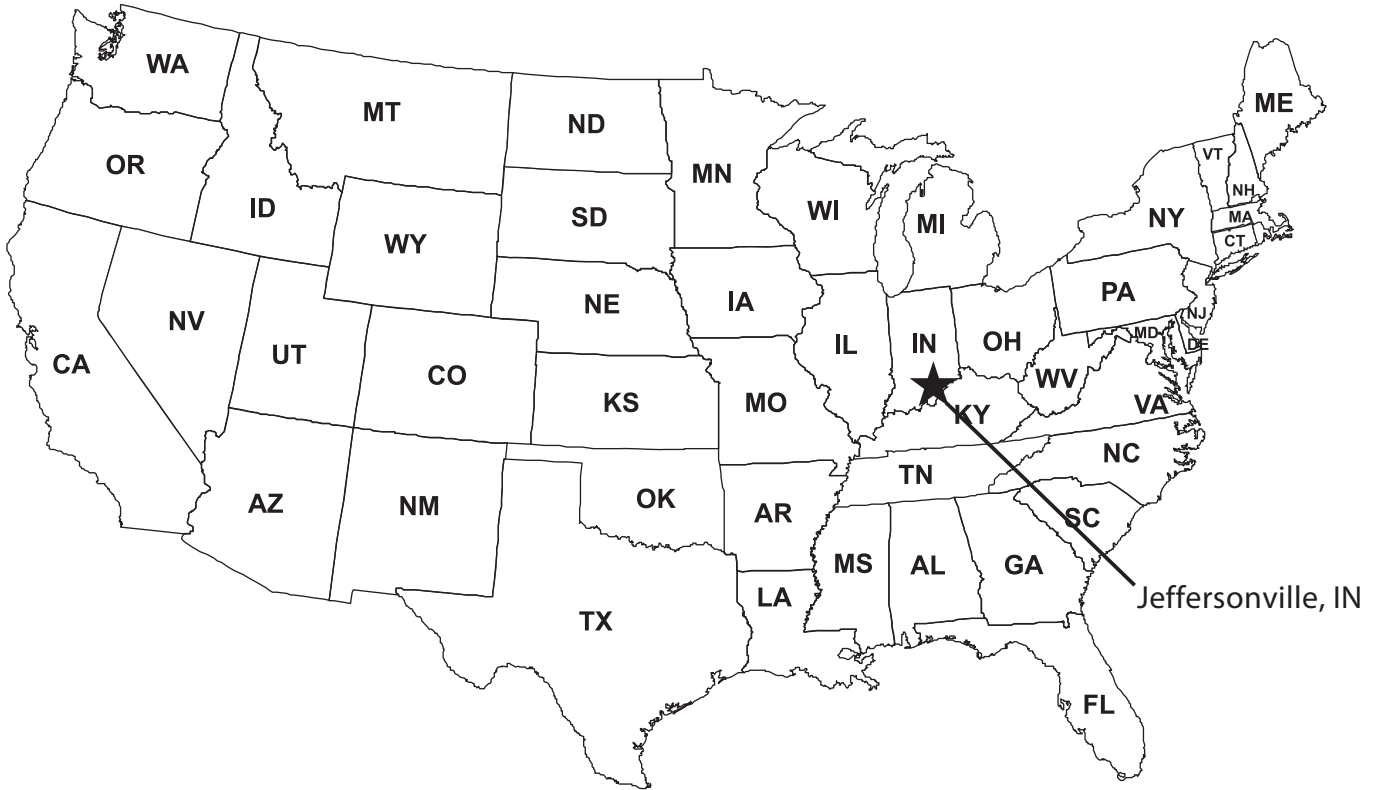
May 2022

TABLE OF CONTENTS

Distribution Centers	3	Conduit/Tubing Accessories	36
Ice Chests	4	Tape	37
Drop In Stands.....	5	Regulators	38
Backroom Packages	6	Regulator Accessories	43
Multiplex BIB Flat Racks	7	Fittings.....	44
Flojet Pump Panels	8	Sockets & Plugs.....	59
BIB Flat Rack Systems	9	Disconnects and Plugs	60
Rack Accessories	10	McCann's Water Booster Systems	62
Flojet Pumps	11	Water Boosters Exploded View	63
Flojet Components	12	SHURFlo Water Booster Systems.....	65
SHURFlo Components	15	Water Pressure Regulators	67
BIB Connectors	18	Water Filter Products	68
Cold Plates.....	19	Flomatic Post Mix Valves	70
McCann's Carbonators	20	Flomatic Valves Exploded Views	71
Carbonator Exploded View	21	McCann's Variety Valve	76
Carbonator Backflow Preventers	25	McCann's Variety Valve Exploded View	77
Procon Rotary Vane Pumps	26	Valve Testing and Accessories	80
Carbonator Parts and Accessories	27	CO2 Cylinders	82
Tubing Bundles	28	Compressors	83
Cable Ties	34	Beverage System Cleaners	84
Hose Clamps	35		

DISTRIBUTION CENTERS

Multiplex is a leading distributor of beverage dispensing systems, installation components and replacement parts. Whether you need soda, juice, beer, wine or energy beverage products, we have the equipment and parts to dispense it correctly.



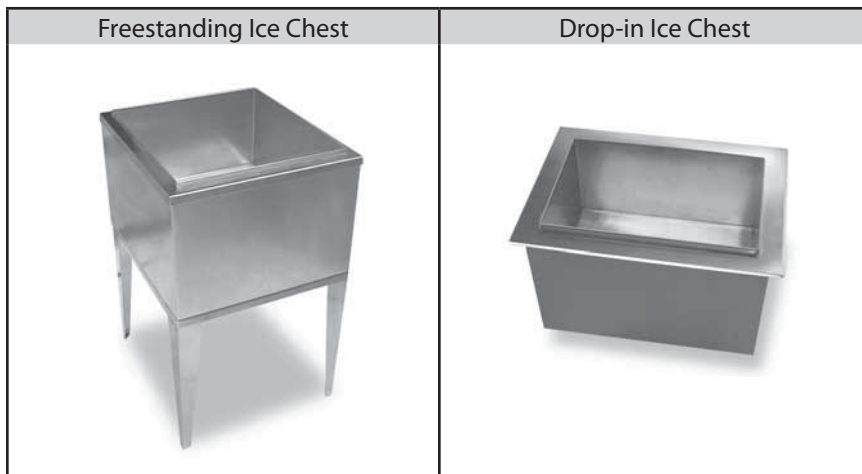
Customer Service
Phone: 844-724-2273

EQUIPMENT

Ice Chests

Item	Description
20-7728-00	Lid bottom 21x23 chest with cold plate Taprite
20-7729-00	Lid top 21x23 ice chest with cold plate Taprite
20-8728-00	Lid bottom 15x22 ice chest with cold plate Taprite
20-8729-00	Lid top 15x22 ice chest with cold plate Taprite
95-1100-8	Drop-in 15X22 bin with cold plate (post-mix)
96-1100-8	Freestanding 15X22 bin with cold plate (post-mix)
95-1200-9	Drop-in 21X23 bin with cold plate (post-mix)
96-1200-9	Freestanding 21X23 bin with cold plate (post-mix)

Stainless steel legs are included with Freestanding units.

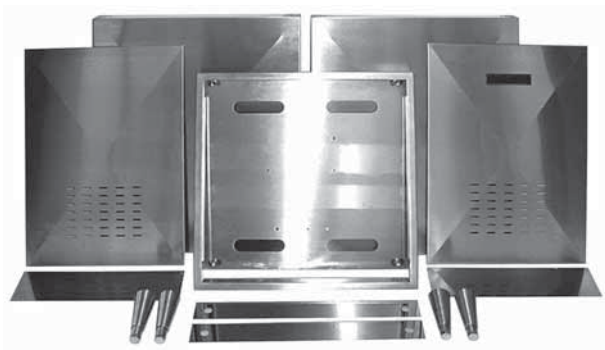


EQUIPMENT

Sturdy, stainless steel drop-in stands come unassembled in compact, easy to handle packages. Unassembled it is less than 5 cubic feet, and takes only minutes to assemble! You'll realize savings in shipping costs, storage space and ease of handling. Legs are adjustable.

McCann's Drop-in Conversion Stands

Item	Description
16-1321	Stand drop in 23 x 23 unassembled McCann's
16-1337	Stand drop in 15 x 22 unassembled McCann's



McCann's is a trademark of McCann's Engineering & Manufacturing, a Welbilt Company

In the interest of continued product improvement, we reserve the right to change specifications without notice
3178G Multiplex Beverage 2022

Toll Free: 1.844.724.2273

www.multiplexbeverage.com



INSTALLATION KITS

Backroom Packages

We specialize in backroom packages! ...

Unassembled racks, pumps, regulators, cylinders, carbonators, tubing, fittings, connectors, water systems, filters, etc... whatever beverage dispensing equipment and parts you need.

Our backroom packages provide everything your installer needs to quickly install a new beverage system. When shipped together with a dispenser, it doesn't get any easier!



Bag-in-box rack systems have been modified with a hose management feature that accommodates up to three 3/8" BIB tubes to eliminate pinch points, zip ties and keep hoses away from boxes

INSTALLATION KITS

Multiplex Flat Racks

Inclined racks use gravity to help syrup flow from the bag-in-box, but require boxes to be placed on their wide side (horizontal placement). Flat rack assemblies maximize storage by allowing boxes to stand on their narrowest side (vertical placement shown in the pictures at the bottom of this page) which allows more BIB boxes per shelf. See the table below for comparison.

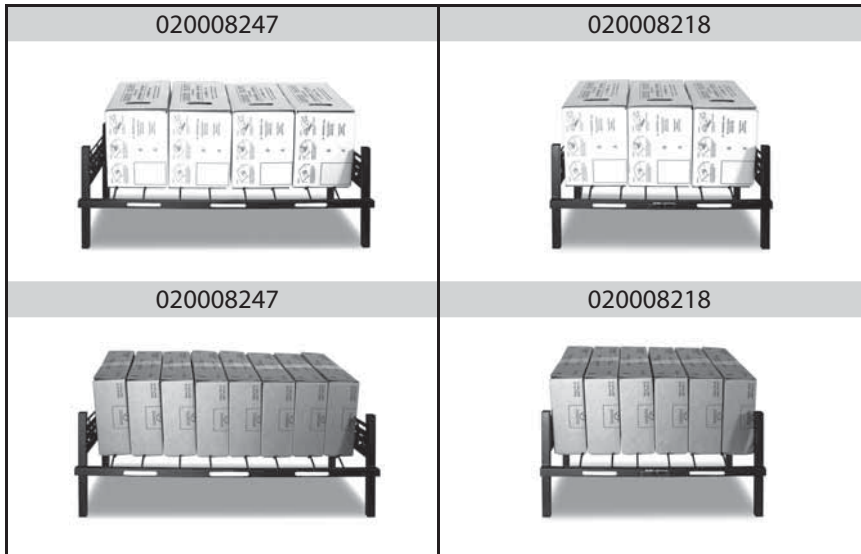
BIB Syrup Boxes	Flat rack		
	1-wide	2-wide	3-wide
2.5 gallon boxes	2 box	6 boxes	8 boxes
3 gallon boxes	1 box	5 boxes	7 boxes
5 gallon boxes	1 box	3 boxes	4 boxes



3 box flat rack with glide

Flat Racks = More Flavors, Less Space!

With vertical placement, the rack assembly shown here will accommodate 22 flavors in the same footprint that normally holds 10. Additional pumps or a water system can be mounted on either side.



INSTALLATION KITS

Installation is a breeze with the pre-assembled slide track pump panel system!

Simply hang on the wall or rack, connect the tubing to the syrup box and you're ready to start pumping! The sturdy metal track system is lighter than a traditional pump panel and conserves space by holding more pumps per row. Rack hangers are included.



Encore 33230



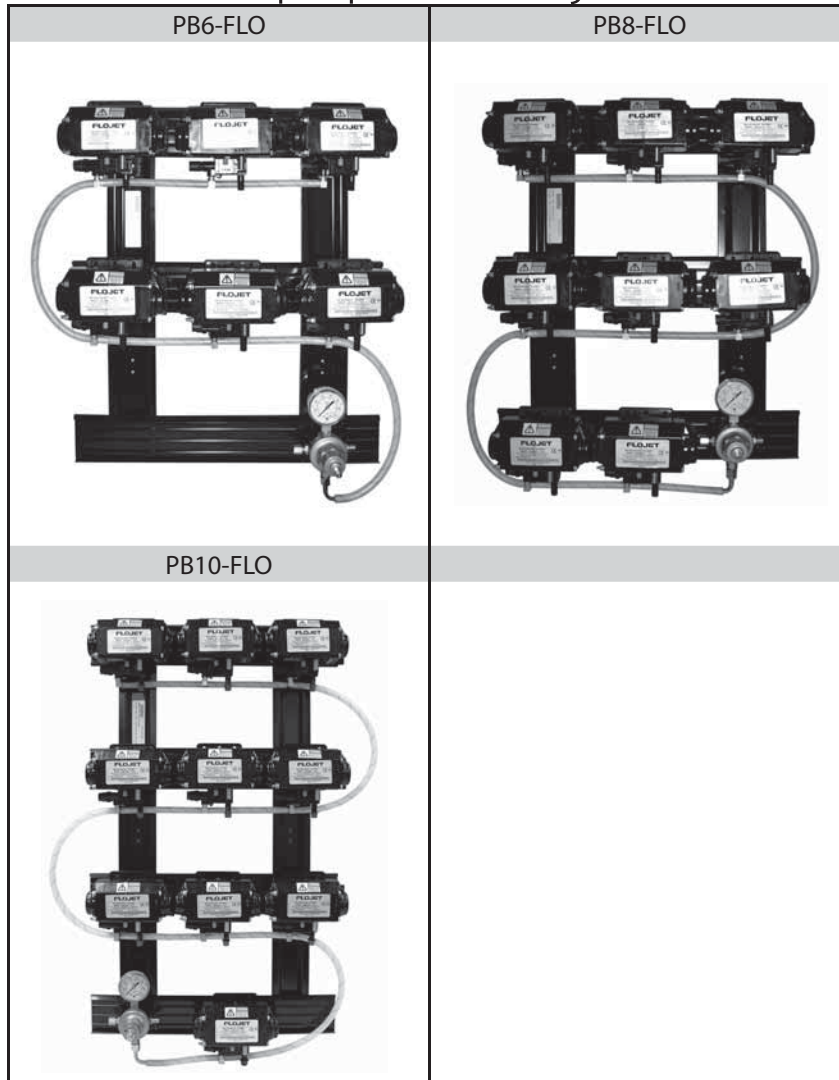
If a pump needs replacement, simply snap the pump off the plastic base plate and snap the new one on. No clips or screws are needed!

Pump panels come with SHURflo or Flojet pumps, and high or low pressure regulator with single port, manifold or shutoff. Choose from QCD II (gray), Scholle 8599-19-076 (black), 00211061 (red), or ENCORE 33230 (green) connectors.

Pre-Assembled Slide Track Pump Boards Include

- BIB pumps
- BIB connectors, clamps and tubing
- 730 Series (YQT-731) regulators

Our most popular Flojet models



In the interest of continued product improvement, we reserve the right to change specifications without notice
3178G Multiplex Beverage 2022

Toll Free: 1.844.724.2273

www.multiplexbeverage.com

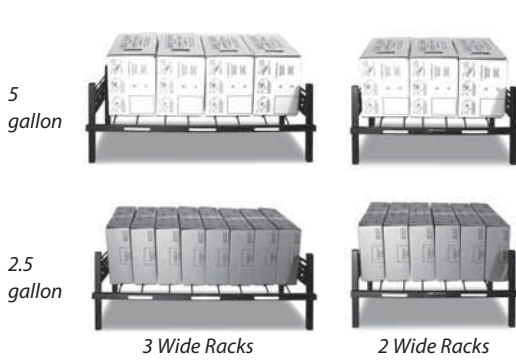
WELBILT KITCHENCARE

BAG-IN-BOX

Flat Rack System

Designed for vertical and horizontal BIB boxes

Bag-In-Box Size	Vertical Capacity Per Rack Shelf			Horizontal Capacity Per Rack Shelf		
	1-wide	2-wide	3-wide	1-wide	2-wide	3-wide
2.5 gallon boxes	3 boxes	6 boxes	8 boxes	1 box	3 boxes	3 boxes
3 gallon boxes	1 box	4 boxes	6 boxes	1 box	2 boxes	3 boxes
5 gallon boxes	1 box	3 boxes	4 boxes	1 box	2 boxes	3 boxes









The 3 wide rack assembly shown here will accommodate 22 flavors in the same footprint that normally holds 10. Additional pumps or a water system can be mounted on either side.

Item	Description	Dimensions	Top Shelf Item # Dimensions	Riser Pump Mount # Dimensions	Center Pump Mount # Dimensions
020008254	Rack 1 wide with caps and connectors	17" wide 14" high 20" deep	N/A	N/A	N/A
020008218	Rack 2/3 wide with caps and connectors	28" wide 14" high 20" deep	15-3234 shelf & connectors 28" W x 8.5" H x 18" D	020008248 28" W x 22" H x 1" D	020008252 28" W x 15.5" H x 18" D
020008247	Rack 3/4 wide with caps and connectors	39" wide 14" high 20" deep	15-3235 shelf & connectors 39" W x 8.5" H x 18" D	020008249 39" W x 22" H x 1" D	020008253 39" W x 15.5" H x 18" D

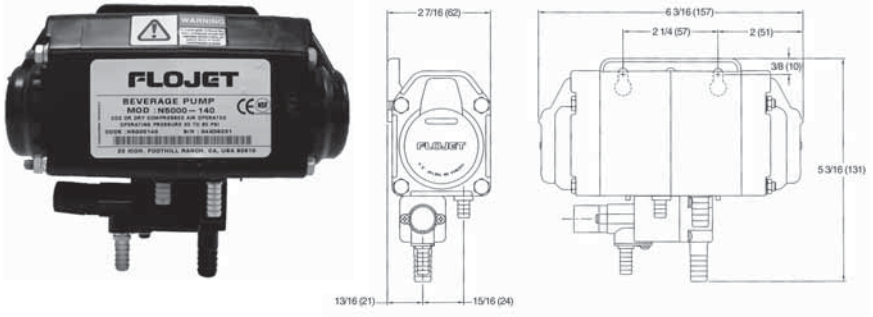
Rack Accessories

Depth: 1" / 25.4 mm

<p>020009096</p>  <p>Rack connectors</p>	<p>020009097</p>  <p>Rack end caps</p>	<p>RL-1</p>  <p>Rack leveler</p>
<p>C2-4067-95CC-41</p>  <p>Caster without brake</p>	<p>C22-4067-95CC-41</p>  <p>Caster with brake</p>	<p>CO TAPR</p>  <p>Caster without brake</p>

BAG-IN-BOX

N5000 Series is designed for dispensing bag-in-box syrups and juice concentrate (without pulp or particulate). 5000 Series pump supplies four 3.0 oz. valves or two 4.5 oz. valves from remote location. Five year warranty.



FLOJET

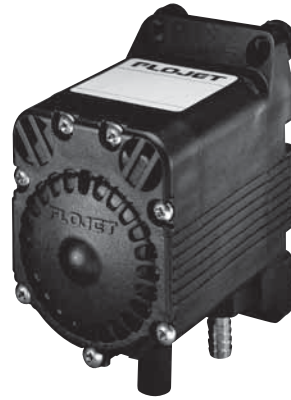
Flojet® Gas (CO₂) / Air Driven Pump

Standard Model Numbers	
Item	Description
N5000-191-MBS	Pump 3/8 product out SS w/CO ₂ shutoff brass Flojet
N5000-171-MBS	Pump 3/8 product out SS w/CO ₂ shutoff offset tee brass Flojet
N5000-190-MBS	Pump 1/4 product out SS w/CO ₂ shutoff brass Flojet



Ultimate performance and reliability, G55 Series is designed for high flow rates: eight 3.0 oz. valves or four 4.5 oz. valves from remote location, and capable of CO₂ inlet pressures up to 90 PSI. Five year warranty.

Standard Model Numbers	
Item	Description
G5510-22A	Pump ultimate 3/8 product out SS w/CO ₂ shutoff brass Flojet



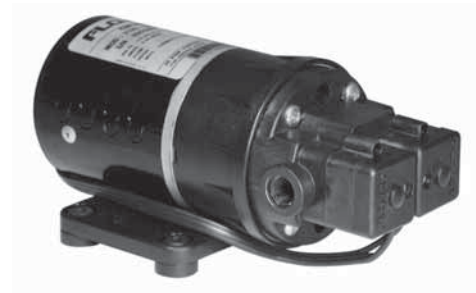
Juice / Condiment Pump

G58 Juice / Condiment Series is designed with enlarged diameter check valves for beverages with pulp, particulates or highly viscous concentrates. Highest flow rates available and capable of CO₂ inlet pressures up to 90 PSI. Five year warranty.

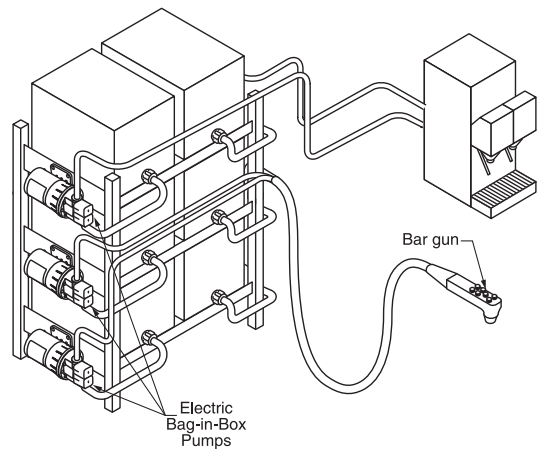
Standard Model Numbers	
Item	Description
G5810-22T	Pump high viscosity 3/8 product out SS w/CO ₂ shutoff brass Flojet

Flojet Electric Pump

2125 Series is designed for dispensing bag-in-box syrups, juice concentrate (without pulp or particulate). Self-priming up to 6 ft (1.8 m), and runs dry without damage. One year warranty.



Standard Model Numbers	
Item	Description
2125-030	Pump electric 115v 50 PSI 1/4 port Flojet
2125-507	Pump electric 115v 90 PSI 1/4 port Flojet





Transfer Valves

Automatically changes from empty to full bag without interrupting flow, and can operate multiple banks of BIB horizontally. Label indicates which BIB is "on-line." Can be mounted in any position and manually operated. 3/8" hose barb connection

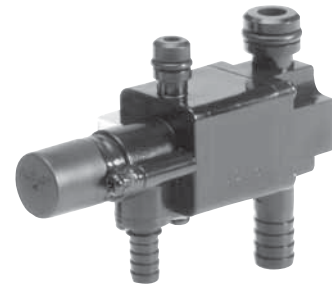
Standard Model Numbers	
Item	Description
1500-030	Transfer valve Flojet
1500-031	Transfer valve high alt Flojet
1500-130	Transfer valve w/90 degree swivel ells Flojet
1500-131	Transfer valve high alt w/90 degree swivel ells Flojet



Auto Shutoff Valve

Automatically shuts off N5000 Series pump when BIB bag is empty. Has 1/4" plastic straight CO₂ shutoff valve

Standard Model Numbers	
Item	Description
20308-130	Auto shutoff valve 1/4 straight plastic Flojet
20308-131	Auto shutoff valve high alt 1/4 straight plastic Flojet



Flojet Strainers

Keep debris and particles from entering pumps and equipment. Low profile design saves space. Threaded bowl makes cleaning easy.

Standard Model Numbers	
Item	Description
01740-003	Strainer inline 3/8 barb Flojet





Pump Mounting Brackets

Item	Description
14-5413	Mounting bracket 2 or 3 pump slide track McCann's
20272002	Mounting bracket slide mount Flojet
20272003	Snap slide rail bracket



20272002

Pump panels can be mounted vertically or horizontally, on the wall or BIB rack. Black enamel finish is easy to clean and resists corrosion. Panels are designed for use with the N5000 Series pumps.



20325-031



1510-000



1520-000



1521-000



1522-000



20607-100

Flojet Fittings

Item	Description
1510-000	Fitting pump CO ₂ w/shutoff 1/4 straight brass Flojet
1520-000	Fitting pump CO ₂ w/shutoff 1/4 tee brass Flojet
1521-000	Fitting pump CO ₂ w/shutoff 1/4 elbow brass Flojet
1522-000	Fitting pump CO ₂ w/shutoff 1/4 offset tee brass Flojet
012546161	Fitting pump 3/8 straight SS Flojet
012544141	Fitting pump 1/4 straight SS Flojet
7096	Fitting pump 1/4 elbow SS Flojet
7100	Fitting pump 3/8 elbow SS Flojet
20325-031	Fitting pump 3/8 straight plastic Flojet
20132-037	Elbow adaptor kit nylon 2125-507 pump
20607-100	Fitting pump 1/4 elbow SS Flojet
20325-033	Fitting pump CO ₂ 1/4 straight plastic Flojet

BAG-IN-BOX



Heavy duty BIB pump is designed for dispensing bag-in-box syrups and juice concentrate (without pulp or particulate) at 3.4 oz. / cycle. Maximum 85 PSI. Minimum 20 PSI. Five year limited warranty from date of manufacturing.

Item	Description
94-360-00-MBS	Pump 1/4 product out w/CO ₂ shutoff plastic elbow SHURflo
94-360-06	Pump 3/8 product out SS elbow w/CO ₂ shutoff plastic elbow SHURflo
94-360-38-MBS	Pump 3/8 product out SS elbow w/CO ₂ shutoff plastic elbow SHURflo
94-360-41-MBS	Pump 3/8 product out SS elbow w/CO ₂ shutoff plastic tee SHURflo
94-366-50	Pump high alt 1/4 product out SS w/CO ₂ shutoff plastic elbow SHURflo



Condiment Valve

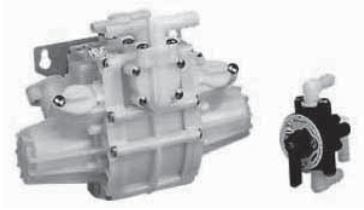
Heavy duty juice and condiment gas pumps have a modified valve for soft solids, beverages with pulp, particulates or viscous concentrates and pumps 2.5 oz. / cycle. Maximum 70 PSI. Minimum 20 PSI. Three year limited warranty from date of manufacturing.

Heavy Duty Juice and Condiment Pumps

Item	Description
94-360-04	Pump juice 1/4 product out SS elbow W/CO ₂ shutoff brass tee black SHURflo
94-360-05	Pump juice 3/8 product out SS elbow W/CO ₂ shutoff plastic elbow black SHURflo

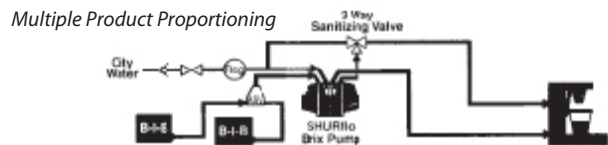
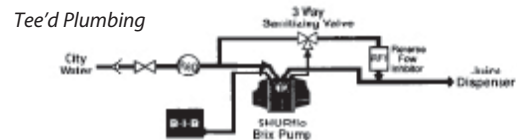
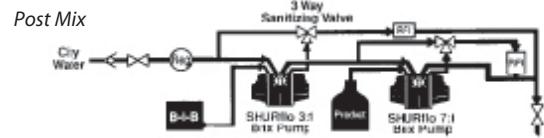
BAG-IN-BOX

SHURflo Brix Pump



The brix pump is designed to proportion two non-carbonated liquids in an exact ratio, eliminating the need to regularly re-adjust brix at the dispensing valve. The pump operates on the source pressure of one of the proportioned liquids which eliminates the need for CO₂ or electric power. All brix pumps include a 3-way sanitizing valve. Maximum 50 PSI. 3 year warranty.

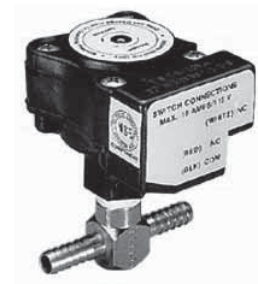
Item	Description
94-260-01	Pump brix 3:1 w/sold out SHURflo
94-260-03	Pump brix 4:1 SHURflo
94-260-05	Pump brix 5:1 w/sold out SHURflo
94-402-02	Valve kit brix II SHURflo



SHURflo Syrup Sold Out Switch

Switch senses the pressure drop in syrup line when BIB is empty and shuts off power to the valve's solenoid to prevent serving unflavored drink, and automatically resets with full BIB. Especially helpful with clear syrups that cannot be visually detected when sold out.

Item	Description
94-068-33	Mini-micro Sold out switch SHURflo



SHURflo Auto Selector Valve

Automatically switches from empty to full BIB.

Item	Description
94-350-08	Automatic bag selector 3/8 barb GB SHURflo
94-350-03	Automatic bag selector 3/8 90° barb GB SHURflo



94-350-03

SHURflo Fittings

Item	Description
21-852-10	Clip large SHURflo
21-859-10	Clip small SHURflo
94-012-00	Quick disconnect fitting 804-023
94-178-01	Fitting pump 3/8 barb elbow plastic SHURflo
94-178-02	Fitting pump 1/4 barb elbow plastic SHURflo
94-178-03	Fitting pump 3/8 barb plastic SHURflo
7235	Fitting pump 1/2 barb 90 degree SS SHURflo
94-178-07	Fitting 1/4 barb 90 degree SS SHURflo
94-178-16	Fitting pump CO ₂ w/shutoff 1/4 elbow plastic SHURflo
94-178-17	Fitting pump CO ₂ w/shutoff 1/4 tee plastic SHURflo
94-178-18	Fitting pump 3/8 barb 90 degree SS SHURflo
94-178-20	Fitting pump 1/2 barb elbow plastic SHURflo
94-178-22	Fitting pump CO ₂ w/shutoff 1/4 elbow brass SHURflo
94-178-23	Fitting pump CO ₂ w/shutoff 1/4 tee brass SHURflo
94-359-10	Clip kit 2 large 1 small SHURflo



SHURflo Plastic Pump Mounts

Item	Description
22-243-04	Mounting bracket 4 pump slide track SHURflo
22-243-06	Mounting bracket 6 pump slide track SHURflo
94-467-00	Base plate kit snap fit black SHURflo



No clips or screws are needed to mount pumps on the base plate which slides onto the track to form the pump system.

McCann's Pump Panel

Item	Description
14-5413	Mounting bracket 2 or 3 pump slide track McCann's



14-5413

BAG-IN-BOX

BIB Connectors

Item	Description
00211061	BIB connecter CC
0501567-01A	Bag spout with wings assembled
20-1110-20	Adapter BIB 3/8 barb red CC
33230	BIB connector ENCORE (Pepsi)
8599-19-076	BIB connector single Scholle
QCD-II	BIB connector GB
QFSLIQ	Spout insert Liqui-Box



QCD-II



QFSLIQ



33230



00211061



20-1110-20



8599-19-076

Miscellaneous

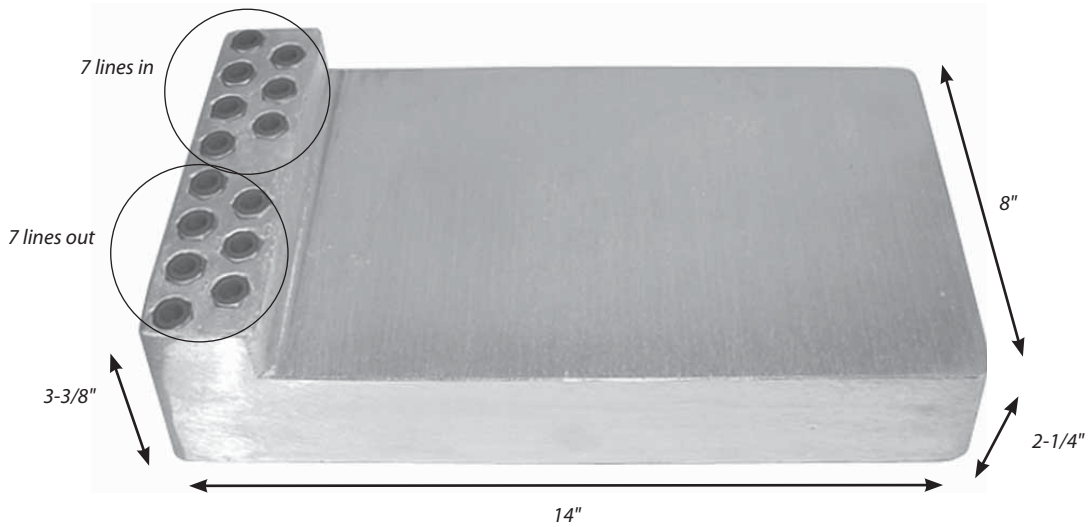
Item	Description
1137404	End cap PCS
84-010-00	Reverse flow inhibitor w/fittings
94-054-00	Vacuum regulator w/fittings SHURflo
E009	O-ring small QCD
E015	O-ring medium QCD
E025	End cap barb QCD
E115	O-ring large QCD
Q51-QFS-Q21	Flush adapter QCD
31193	Flush adapter Encore
QCD-KIT	O-ring kit QCD (3)

McCann's is a registered trademark of McCann's Engineering & Manufacturing, a Manitowoc Company, Los Angeles, California
 Flojet is a registered trademark of ITT Industries, Foothill Ranch, California
 SHURflo is a registered trademark of SHURflo LLC, Cypress, California
 Scholle is a registered trademark of Scholle Corporation, Irvine, California
 QCD is a registered trademark of Liqui-Box Corporation, a DuPont Company, Worthington, Ohio

COLD PLATES

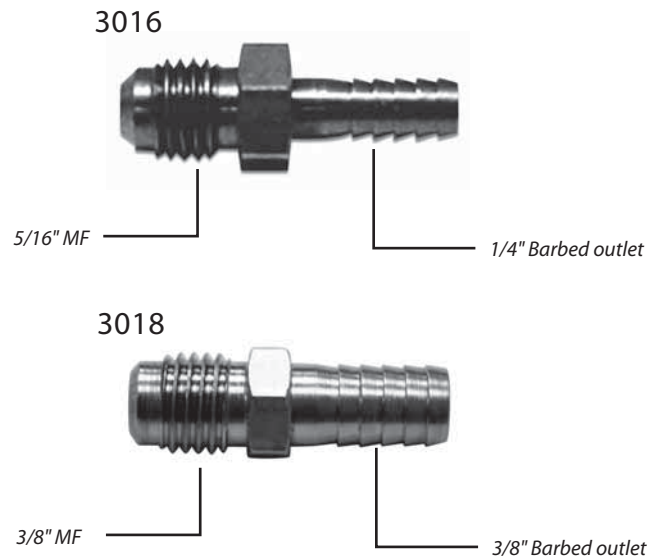
Sizes for standard loose cold plates for bar gun applications range in size and number of circuits depending on your dispensing needs.

8 x 14-7 Cold Plate



All cold plates include 5/16" MF x 1/4" (part #3016) barbed fittings for each circuit. 5/16" MF x 3/4" (part #3018) barbed fittings can be ordered separately.

Item	Description
100001	LOOSEPLT 8x12-2
100003	LOOSEPLT 8x12-4
100005	LOOSEPLT 8x12-6
100006	LOOSEPLT 8x12-7
100012	LOOSEPLT 8x14-6
100013	LOOSEPLT 8x14-7



CARBONATORS

The 43 and E2000 Series

Both series produce 100 gallons/hour. Carbonators have brass water pumps with integral strainers, stainless steel bases with rubber feet for sound insulation, right angle probe service cords, heat sink probe caps, and no external electronic components. Specifications: 1/4" MF CO₂ inlet, 3/8" MF water inlet and 3/8" MF soda water outlet(s). Five year warranty.

The two-piece probe assembly is easy to test: simply remove the probe electronics and pass the tip of a magnetic screwdriver past the lower end of the tube extending from the electronics package. If the reed switch closes, it's operating properly.

43 Series Small Carbonator with 1022 Backflow Preventer



9" W x 11-1/2" D x 11" H

Big Mac Carbonator with ASSE 1022 Backflow Preventer

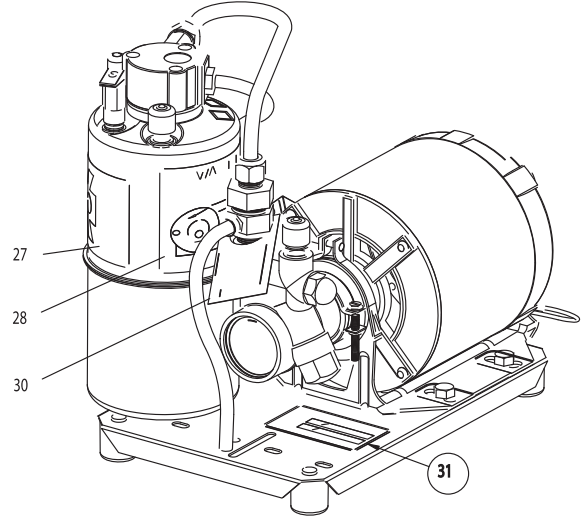
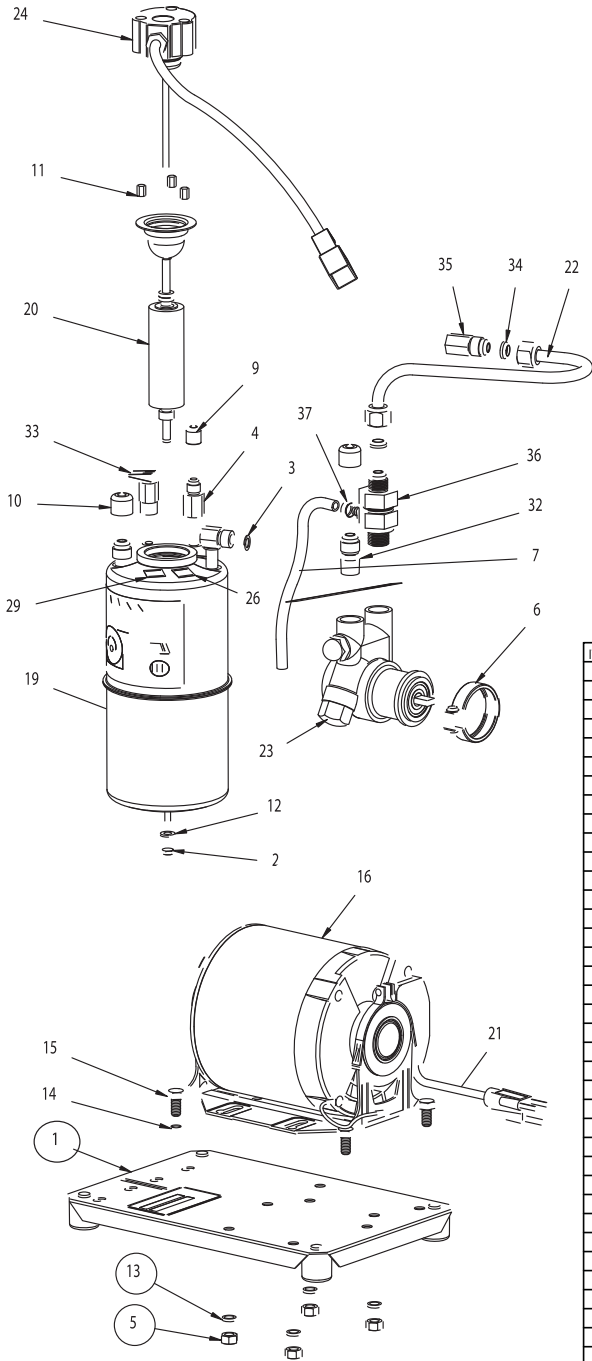


13-1/2" W x 12-3/4" D x 10-1/2" H

Item	Description	Tank Capacity	Soda Outlets	Vented Check Valve	Electrical	Motor	Amps	Shipping Weight
43-5102	Carbonator standard ASSE 1022 220v McCann's	32 oz	1	Yes	220/50/60	1/4 HP	2.4	25 lbs
43-6002	Carbonator standard ASSE 1022 115v McCann's	32 oz	1	Yes	115/60/1	1/3	7.0	25 lbs
E200393	Carbonator big mac ASSE 1022 220v McCann's	2 gal	2	Yes	220/50/60	1/4 HP	2.4	28 lbs
E201397-MBE	Cold carbonation retrofit	2 gal	2	Yes	115/60/1	1/3 HP	7.0	38 lbs
E400397	Carbonator Big Mac ASSE 1022 115v McCann's	2 gal	2	Yes	115/60/1	1/3 HP	7.0	28 lbs

CARBONATORS

43-5102 Exploded View Drawing



ITEM NO.	QTY.	PART NO.	DESCRIPTION
1	1	E133592-004	BASE, CARBONATOR W/ 4 FEET
2	1	00-0424	NUT, HEX, 10-32, ZINC PLATED
3	1	00-0859	WASHER, FLAT, PLASTIC, CHECK VALVE
4	1	00-0868	CHECK VALVE, CARBONATOR, SINGLE, 1/4 MALE FLARE
5	4	00-1077	NUT, HEX, 5/16-18, ZINC PLATED
6	1	00-1222	CLAMP, V-BAND, CARBONATOR
7	1	01-1649	TUBING, 1/4 I.D., 3/8 O.D., CUT 12" LONG
9	1	10-1877	PLUG, CAP, VC-375-8, BLACK
10	2	10-2006	CAP PLUG, VC-600-8, BLACK, VINYL
11	3	09-1877	STUD, PROBE
12	1	10-0257	WASHER, LOCK, # 1/4, SPLIT, SS
13	4	10-0258	WASHER, LOCK, 5/16, SPLIT, ZINC PLATED
14	2	10-0290	WASHER, LOCK, 5/16, EXTERNAL TOOTH, ZINC PLATED
15	4	10-0555	BOLT, 5/16 X 5/8 HEX HEAD
16	1	10-0601	MOTOR, 230V
17	1	10-1181	WIRE TIE, TWISTER, 5" LONG (NOT SHOWN)
18	A/R	10-1651	ADHESIVE, LOCTITE, 565 (NOT SHOWN)
19	1	15-1197	ASSY., CARB., WELD TOP & BOTTOM, SMALL TANK, 3/8 MF W/ STUD
20	1	15-1951	ASSY., 115/220V, PROBE, FLOAT RING
21	1	15-2088	ASSY., CARB POWER CORDS
22	1	15-3018	ASSY., TUBING WATER INLET
23	1	16-0148	PUMP, BRASS, ROTARY VANE, PROCON
24	1	16-2220-41	ASSY., PROBE, 115V ELECTRICAL, BLACK CAP
25	1	17-0327	INSTRUCTIONS, INSTALLATION, CARBONATOR (NOT SHOWN)
26	1	17-0386	INSTRUCTIONS, INSTALLATION, PROBE, TWO PIECE (NOT SHOWN)
27	1	17-0486	ANDERSON BRASS, ABF-1, 1022, APPROVAL CERTIFICATION (NOT SHOWN)
28	1	17-0491	SERVICE BULLETIN (NOT SHOWN)
29	1	18-1075	DECAL, INSPECTION STICKER (11 THRU 25)
30	1	18-1339	DECAL, CARBONATOR TANK, CO2
31	1	18-1345	DECAL, SMALL CARBONATOR
32	1	18-1368	DECAL, TEST STICKER
33	1	18-1580	LABEL, MODEL/SERIAL NUMBER, CARBONATOR, 43-5000
34	1	19-0028	FITTING, 3/8 MALE FLARE X 3/8 MALE PIPE THREAD, BRASS
35	1	19-0031	VALVE ASSY., PRESSURE RELIEF, CARB. TANK, 180 PSI, RED HANDLE
36	2	19-0268	GASKET, FLARE, 3/8, SAE
37	1	19-0760	FITTING, ADAPTER, WATER INLET TUBE, CARB.
38	1	19-0897	ASSE 1022, BACKFLOW PREVENTER
39	1	10.5-505R	CLAMP STEPLESS SS

In the interest of continued product improvement, we reserve the right to change specifications without notice
3178G Multiplex Beverage 2022

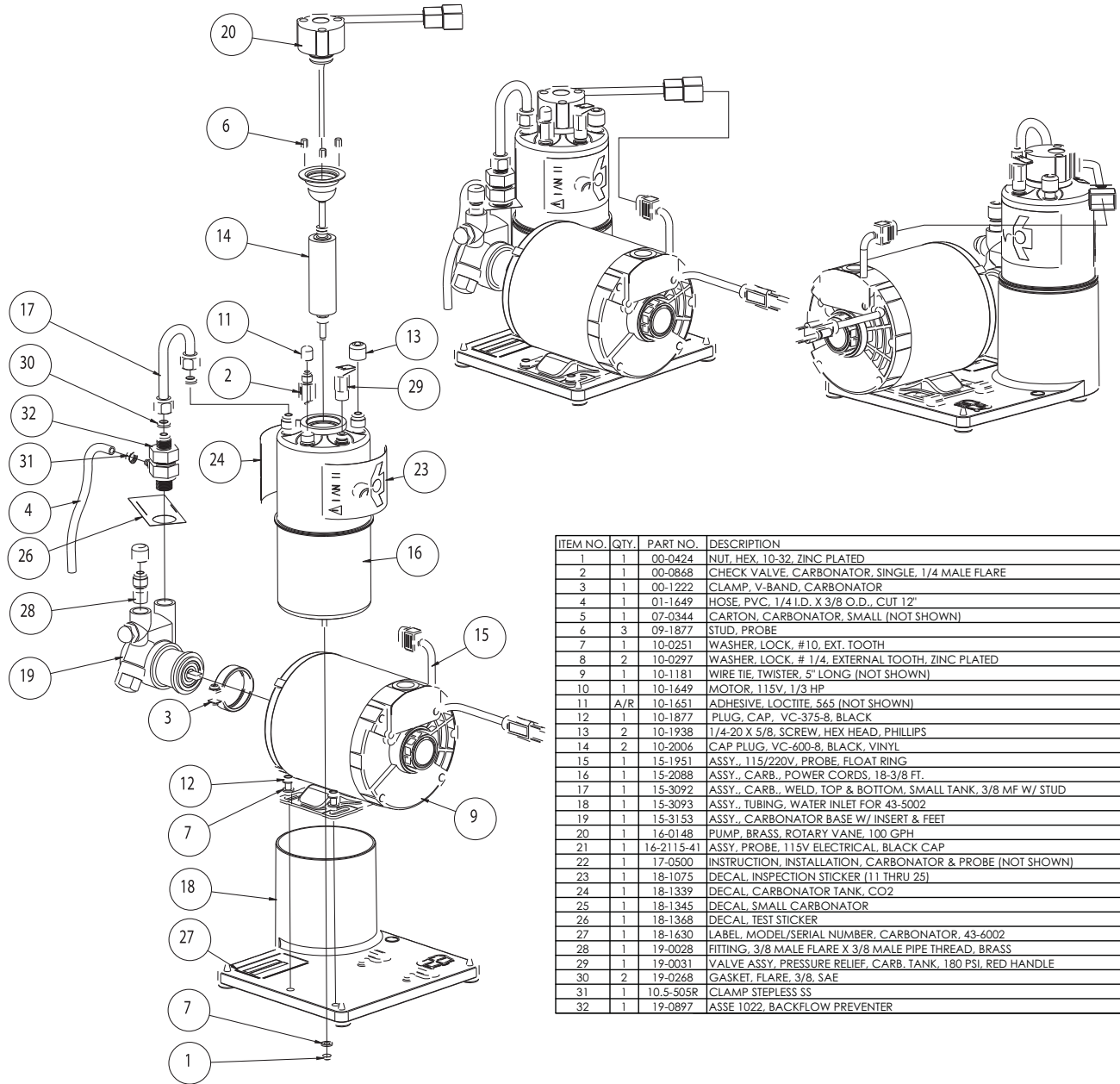
Toll Free: 1.844.724.2273

www.multiplexbeverage.com



CARBONATORS

43-6002 Exploded View Drawing



ITEM NO.	QTY.	PART NO.	DESCRIPTION
1	1	00-0424	NUT, HEX, 10-32, ZINC PLATED
2	1	00-0868	CHECK VALVE, CARBONATOR, SINGLE, 1/4 MALE FLARE
3	1	00-1222	CLAMP, V-BAND, CARBONATOR
4	1	01-1649	HOSE, PVC, 1/4 I.D. X 3/8 O.D., CUT 12"
5	1	07-0344	CARTON, CARBONATOR, SMALL (NOT SHOWN)
6	3	09-1877	STUD, PROBE
7	1	10-0251	WASHER, LOCK, #10, EXT. TOOTH
8	2	10-0297	WASHER, LOCK, # 1/4, EXTERNAL TOOTH, ZINC PLATED
9	1	10-1181	WIRE TIE, TWISTER, 5" LONG (NOT SHOWN)
10	1	10-1649	MOTOR, 115V, 1/3 HP
11	A/R	10-1651	ADHESIVE, LOCTITE, 565 (NOT SHOWN)
12	1	10-1877	PLUG, CAP, VC-375-8, BLACK
13	2	10-1938	1/4-20 X 5/8, SCREW, HEX HEAD, PHILLIPS
14	2	10-2006	CAP PLUG, VC-600-8, BLACK, VINYL
15	1	15-1951	ASSY., 115/220V, PROBE, FLOAT RING
16	1	15-2088	ASSY., CARB., POWER CORDS, 18-3/8 FT.
17	1	15-3092	ASSY., CARB., WELD, TOP & BOTTOM, SMALL TANK, 3/8 MF W/ STUD
18	1	15-3093	ASSY., TUBING, WATER INLET FOR 43-5002
19	1	15-3153	ASSY., CARBONATOR BASE W/ INSERT & FEET
20	1	16-0148	PUMP, BRASS, ROTARY VANE, 100 GPH
21	1	16-2115-41	ASSY, PROBE, 115V ELECTRICAL, BLACK CAP
22	1	17-0500	INSTRUCTION, INSTALLATION, CARBONATOR & PROBE (NOT SHOWN)
23	1	18-1075	DECAL, INSPECTION STICKER (11 THRU 25)
24	1	18-1339	DECAL, CARBONATOR TANK, CO2
25	1	18-1345	DECAL, SMALL CARBONATOR
26	1	18-1368	DECAL, TEST STICKER
27	1	18-1630	LABEL, MODEL/SERIAL NUMBER, CARBONATOR, 43-6002
28	1	19-0028	FITTING, 3/8 MALE FLARE X 3/8 MALE PIPE THREAD, BRASS
29	1	19-0031	VALVE ASSY, PRESSURE RELIEF, CARB. TANK, 180 PSI, RED HANDLE
30	2	19-0268	GASKET, FLARE, 3/8, SAE
31	1	10-5-505R	CLAMP STEPLESS SS
32	1	19-0897	ASSE 1022, BACKFLOW PREVENTER

In the interest of continued product improvement, we reserve the right to change specifications without notice
3178G Multiplex Beverage 2022

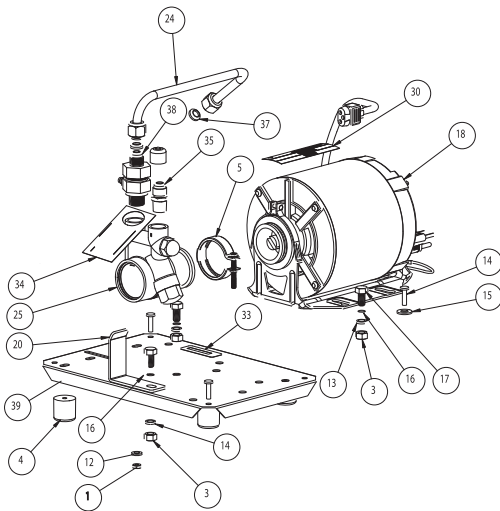
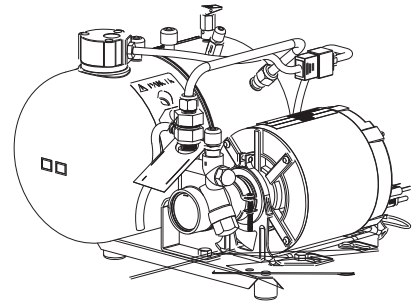
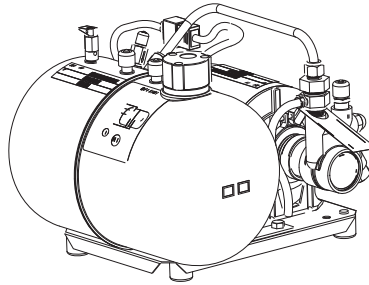
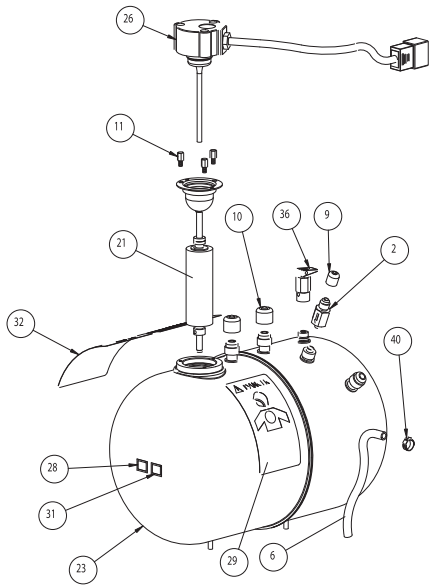
Toll Free: 1.844.724.2273

www.multiplexbeverage.com



CARBONATORS

E200393 Exploded View Drawing



ITEM NO.	QTY.	PART NO.	DESCRIPTION
1	1	00-0424	NUT, HEX, 10-32, ZINC PLATED
2	1	00-0868	CHECK VALVE, CARBONATOR, SINGLE, 1/4 MALE FLARE
3	4	00-1077	NUT, HEX, 5/16-18, ZINC PLATED
4	2	00-1217	FOOT
5	1	00-1222	CLAMP, V-BAND, CARBONATOR
6	1	01-1649	TUBING, PVC, 1/4 ID X 3/8 OD, CLEAR, CUT 12"
7	1	07-0179	CARTON, CARBONATOR, LARGE, BLACK (NOT SHOWN)
8	1	07-0247	CARTON INSERT FOR CARBONATOR, PALLET, 28 X 42, 200 LB. (NOT SHOWN)
9	1	07-0289	CARTON INSERT FOR COMBO CARBONATOR (NOT SHOWN)
10	1	10-1877	PLUG, CAP, VC-375-8, BLACK
11	3	10-2006	CAP PLUG, VC-600-8, BLACK, VINYL
12	3	09-1877	STUD, PROBE
13	1	10-0257	WASHER, LOCK, # 1/4, SPLIT, SS
14	4	10-0258	WASHER, LOCK, 5/16, SPLIT, ZINC PLATED
15	1	10-0528	SCREW, 10-32 X 3/4, PAN, PHILLIPS
16	1	10-0281	WASHER, FLAT, ZINC PLATED, .344 I.D.
17	4	10-0290	WASHER, LOCK, 5/16, EXT. TOOTH, ZINC PLATED
18	4	10-0555	BOLT, 5/16 X 5/8, HEX HEAD
19	1	10-0601	MOTOR, AO SMITH, 230V
20	A/R	10-1651	ADHESIVE, LOCKTITE, 565 (NOT SHOWN)
21	1	14-5264	TANK SUPPORT
22	1	15-1951	ASSY., 115/220V, PROBE, FLOAT RING
23	1	15-2088	ASSY., CARB., POWER CORDS, 18/3, 8 FT.
24	1	15-3095	ASSY., TANK, McCANN'S CARBONATOR
25	1	15-3100	ASSY., CARBONATOR, WATER INLET & NUT, PLASTIC BASE
26	1	16-0148	PUMP, BRASS, ROTARY VANE, PROCON
27	1	16-2115-41	ASSY, PROBE, 115V ELECTRICAL, BLACK CAP
28	1	17-0327	INSTRUCTIONS, INSTALLATION, CARBONATOR (NOT SHOWN)
29	1	17-0386	INSTRUCTIONS, INSTALLATION, PROBE, TWO PIECE (NOT SHOWN)
30	1	17-0486	ANDERSON BRASS, ABF-1, 1022, APPROVAL CERTIFICATION (NOT SHOWN)
31	1	17-0491	SERVICE BULLETIN (NOT SHOWN)
32	1	18-1075	DECAL, INSPECTION STICKER (11 THRU 25)
33	1	18-1339	DECAL, CARBONATOR TANK, WARNING, CO2
34	2	18-1350	DECAL, COKE, IC, SERIAL NUMBER
35	1	18-1368	DECAL, TEST STICKER
36	1	18-1503	LABEL, CARBONATOR, LARGE
37	1	18-1515	LABEL, MODEL NUMBER, CARBONATOR, E200393
38	1	19-0028	FITTING, 3/8 MALE FLARE X 3/8 MALE PIPE THREAD, BRASS
39	1	19-0031	VALVE ASSY, PRESSURE RELIEF, CARB. TANK, 180 PSI, RED HANDLE
40	2	19-0268	GASKET, FLARE, 3/8, SAE
41	1	19-0897	ASSE 1022, BACKFLOW PREVENTER
42	1	E133592-002	BASE, CARBONATOR WITH 2 FEET
43	1	10.5-505R	CLAMP STEPLESS SS

In the interest of continued product improvement, we reserve the right to change specifications without notice
3178G Multiplex Beverage 2022

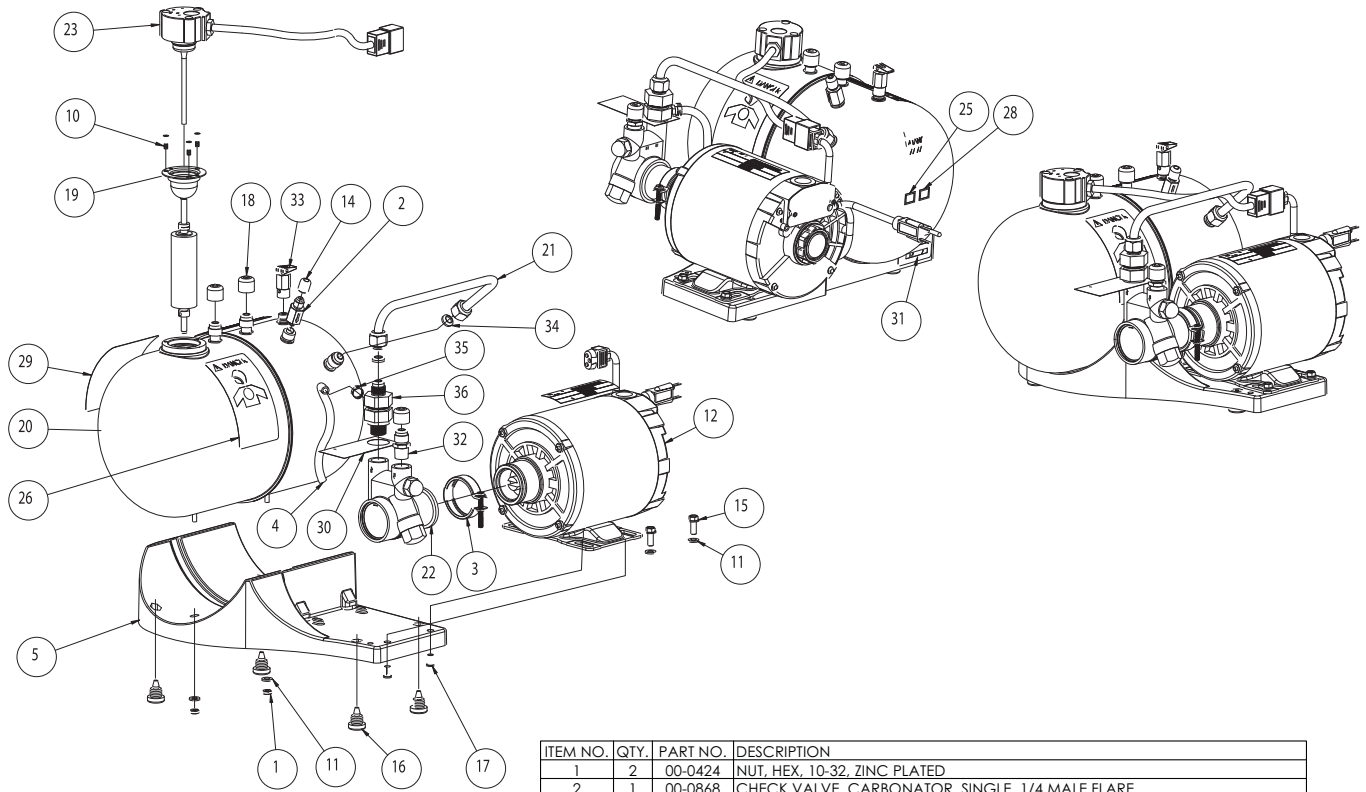
Toll Free: 1.844.724.2273

www.multiplexbeverage.com



CARBONATORS

E400397 Exploded View Drawing



ITEM NO.	QTY.	PART NO.	DESCRIPTION
1	2	00-0424	NUT, HEX, 10-32, ZINC PLATED
2	1	00-0868	CHECK VALVE, CARBONATOR, SINGLE, 1/4 MALE FLARE
3	1	00-1222	CLAMP, V-BAND, CARBONATOR
4	1	01-1649	TUBING, PVC, 1/4 ID X 3/8 OD, CLEAR, CUT 12"
5	1	01-1893	CARBONATOR BASE
6	1	07-0247	CARTON INSERT FOR CARBONATOR, PALLET, 28 X 42, 200 LB. (NOT SHOWN)
7	1	07-0331	CARTON, CARBONATOR, 15-7/8 X 13-7/8 X 11-3/8
8	1	07-0332	CARTON INSERT FOR 07-0331, D/C TOP, 16-3/16 X 16-7/8 (NOT SHOWN)
9	1	07-0333	CARTON INSERT FOR 07-0331, BOTTOM, 27-3/4 X 15-7/8
10	3	09-1877	STUD, PROBE
11	2	10-0251	WASHER, LOCK, #10, EXT. TOOTH
12	2	10-0297	WASHER, LOCK, # 1/4, EXTERNAL TOOTH, ZINC PLATED
13	1	10-1649	MOTOR, 115V, 1/3 HP
14	A/R	10-1651	ADHESIVE, LOCTITE, 565 (NOT SHOWN)
15	1	10-1877	PLUG,CAP, VC-375-8, BLACK
16	2	10-1938	1/4-20 X 5/8, SCREW, HEX HEAD, PHILLIPS
17	4	10-2000	FOOT, RUBBER
18	2	10-2002	1/4-20 X .50, FLANGED, EXPANSION INSERT
19	3	10-2006	CAP PLUG, VC-600-8, BLACK, VINYL
20	1	15-1951	ASSY., 115/220V, PROBE, FLOAT RING
21	1	15-3095	ASSY., TANK, McCANN'S CARBONATOR
22	1	15-3100	ASSY., CARBONATOR, WATER INLET & NUT, PLASTIC BASE
23	1	16-0148	PUMP, BRASS, ROTARY VANE, PROCON
24	1	16-2115-41	ASSY. PROBE, 115V ELECTRICAL, BLACK CAP
25	1	17-0500	INSTRUCTION, INSTALLATION, CARBONATOR & PROBE (NOT SHOWN)
26	1	18-1075	DECAL, INSPECTION STICKER (11 THRU 25)
27	1	18-1339	DECAL, CARBONATOR TANK, WARNING, CO2
28	2	18-1350	DECAL, COKE, IC, SERIAL NUMBER
29	1	18-1368	DECAL, TEST STICKER
30	1	18-1503	LABEL, CARBONATOR, LARGE
31	1	18-1605	LABEL, MODEL, SERIAL NUMBER, CARBON ATOR, E400397
32	1	19-0028	FITTING, 3/8 MALE FLARE X 3/8 MALE PIPE THREAD, BRASS
33	1	19-0031	VALVE ASSY. PRESSURE RELIEF, CARB. TANK, 180 PSI, RED HANDLE
34	2	19-0268	GASKET, FLARE, 3/8, SAE
35	1	10-5-505R	CLAMP STEPLESS SS
36	1	19-0897	ASSE 1022, BACKFLOW PREVENTER

In the interest of continued product improvement, we reserve the right to change specifications without notice
3178G Multiplex Beverage 2022

Toll Free: 1.844.724.2273

www.multiplexbeverage.com



CARBONATORS

ASSE 1022 Backflow Preventer Regulations

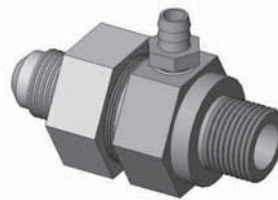
Under backflow conditions, a vented backflow preventer provides pressure relief if the primary check valve fails ensuring that the secondary check valve will remain closed. UPC and NSPC plumbing codes in many states now require that an air gap or vented backflow preventer that meets ASSE standard 1022 is used on all carbonated beverage dispensers. Fountain dispensers that currently use an internal non-vented dual check valve (ASSE 1032), the industry standard for decades, will be required to have an ASSE 1022 device installed on the dispenser water line.

McCann's ASSE 1022 Backflow Preventer

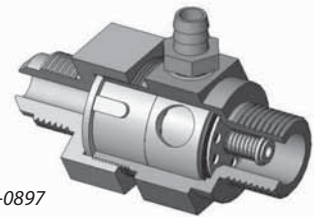
Features working pressures from 10 to 200 PSI, working temperatures up to 130°F, and can be used in horizontal or vertical applications. It's reliable, easy to install, service and maintain, and UL, NSF, ASSE certified.



Item	Description
19-0897	Backflow preventer ASSE 1022 McCann's
19-0980	Backflow preventor ASSE 1022 MCC stainless ST
00-0868	Check valve single McCann's
19-0437	Double check valve McCann's



19-0897



Item	Description
911-69X	Backflow preventer 3/8 MF x 9/16-27 w/vent
914-P66	Backflow preventer w/check 3/8 MPT x 3/8 MF
9BD 3/8MF X MF	Backflow preventor 3/8 MF x MF
S470D66	Check valve double ball 3/8 MF
S470DVV66X	Backflow preventer w/double check 3/8 MF w/vent
S470DVVP66X	Backflow preventer w/double check 3/8 MPT x 3/8 MF w/vent
SD3 3/8	Backflow preventor w/strainer



CARBONATORS

Procon® Rotary Vane Pumps

Rotary vane pumps are designed to pump potable water for beverage applications. Strainers trap particles that can cause damage to the pump. Models with strainers have removable caps for periodic cleaning (every 4 months under normal conditions). Inlet and outlet ports are 3/8" NPT threaded. Coupler, item #1143, attaches the pump to the carbonator motor. NSF approved.



111A100F11AA and
111A125F11AA



112A100F11AA



113A100F31XX

Item	Description
111A125F11AA	Carbonator pump w/strainer 125 gph brass
113A100F31XX	Carbonator pump 100 gph no relief valve
112A100F11AA	Carbonator pump no strainer 100 gph brass
111A100F11AA250	Carbonator pump w/ strainer 100 gph brass 250 psi
113A100F31BA250	Carbonator pump 100 gph SS 250 PSI
103A100F31XX	Carbonator pump 100 gph SS no relief valve
101B100F11BC	Carbonator pump w/ strainer 100 gph brass 99 PSI

Item	Description
1138-ORA	Strainer Procon
3212	O-ring strainer Procon






CARBONATORS

Parts and Accessories

Item	Description
14-5415	Shelf carbonator wall, floor, or rack mount
16-1404	Probe conversion 2 piece McCann's
16-1459	Carbonator shelf floor unassembled McCann's
16-1480	Carbonator shelf wall unassembled
16-1521	Carbonator conversion kit simplex ASSE 1022 McCann's
16-1522*	Carbonator conversion kit E2000 ASSE 1022 McCann's
16-1552	Carbonator shelf internal carb retrofit XL McCann's
16-2115	Probe only McCann's
16-2220	Probe 220v electrical
2701	Carbonation tester

*McCann's is a registered trademark of McCann's Engineering & Manufacturing, a Manitowoc Company, Los Angeles, California.
Procon is a registered trademark of PROCON Products, Murfreesboro, Tennessee.*

** Kit converts an E200092 to an E200397 to become ASSE 1022 certified.
Kit includes SD-3 backflow preventer, stainless steel connection tube, and fittings and washers to complete the conversion.*

<p>16-1459 Carbonator Stand</p> 	<p>16-1404 Probe Assembly</p> 	<p>14-5415</p> 
<p>16-1480 Carbonator Shelf</p> 	<p>2701</p> 	

TUBING & CLAMPS

Easy to install and specified by most customers

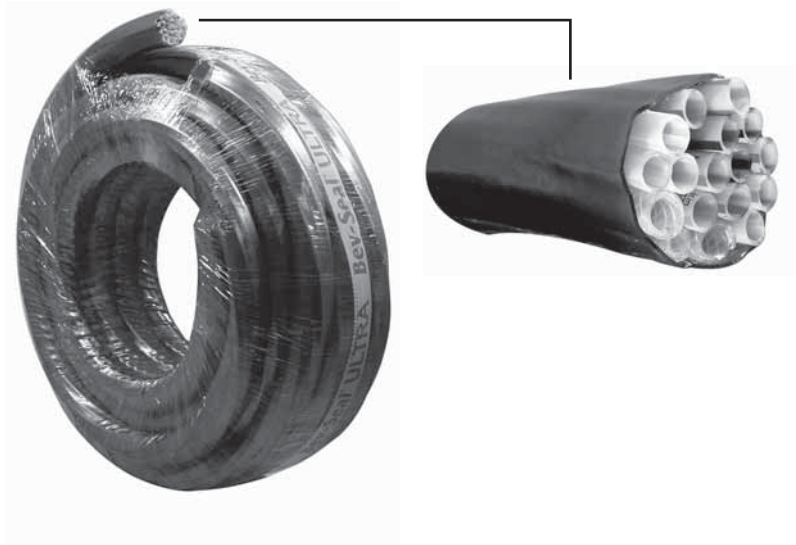
Accuflex hose, tubing and cabled bundle products provide consistent, dependable, economical performance while maintaining high drink quality and reducing service calls.



Syrup, water and gas lines in one bundle!

The exclusive Bev-Seal Ultra® barrier tubing cabled bundle is truly installer-friendly. Compact, light weight and incredibly flexible, it bends and stays in place, and rolls out straight without loops and twists. Whenever flushability, taste-free performance, or protection against taste-transfer or flavor contamination is a concern, choose Bev-Seal Ultra®.

Syrup lines are colored, numbered and date coded for traceability. All configurations contain two braided water lines that carry pressure up to 300 psig at 70° F, and one CO₂ line that will carry pressure up to 240 psig at 70° F.



Item	Description	Bundle OD	Min. Bend Radius	Clamp Size (mm)
974H-000800120-1	Tubing bundle 11 line ultra 8) 3/8 2) 3/8 brd 1) 1/4 brd 100 ft	2.1"	8"	14.0
974H-000800120-2	Tubing bundle 11 line ultra 8) 3/8 2) 3/8 brd 1) 1/4 brd 200 ft			15.7
974H-001000120-1	Tubing bundle 13 line ultra 10) 3/8 2) 3/8 brd 1) 1/4 brd 100 ft	2.3"	10"	14.0
974H-001000120-2	Tubing bundle 13 line ultra 10) 3/8 2) 3/8 brd 1) 1/4 brd 200 ft			15.7
974H-001000120-5	Tubing bundle 13 line ultra 10) 3/8 2) 3/8 brd 1) 1/4 brd 500 ft			13.3
974H-001200120-1	Tubing bundle 15 line ultra 12) 3/8 2) 3/8 brd 1) 1/4 brd 100 ft	2.5"	12"	14.0
974H-001200120-2	Tubing bundle 15 line ultra 12) 3/8 2) 3/8 brd 1) 1/4 brd 200 ft			15.7
974H-001200120-5	Tubing bundle 15 line ultra 12) 3/8 2) 3/8 brd 1) 1/4 brd 500 ft			13.3
974H-001400120-1	Tubing bundle 17 line ultra 14) 3/8 2) 3/8 brd 1) 1/4 brd 100 ft	2.6"	13"	14.0
974H-001400120-2	Tubing bundle 17 line ultra 14) 3/8 2) 3/8 brd 1) 1/4 brd 200 ft			15.7
974H-001400120-5	Tubing bundle 17 line ultra 14) 3/8 2) 3/8 brd 1) 1/4 brd 500 ft			13.3

TUBING & CLAMPS

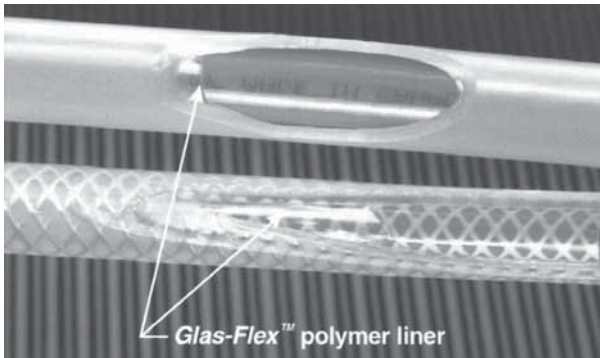


Fire Retardant Cabled Bundle

Series 975FR contains Bev-Seal Ultra® Series 175FR fire resistant tubes, individually numbered and branded with NSF-51 and NSF-61 listings, and date coded for traceability. 975FR Series contains 175FR reinforced hoses instead of tubes. Extruded layers of fire-resistant non-halogen polyolefin compound. Special metallized film wrap over the tubes, plus an outer wrap of white fiberglass tape to secure the hoses.

Item	Description	Bundle OD	Min. Bend Radius	Clamp Size (mm)
975FR-00100012-01	Tubing bundle fire retardant 13 line 10 syrup/2 braided water/1, 3/8" CO2 100 ft	2.1"	14"	13.3
975FR-00100012-02	Tubing bundle fire retardant 13 line 10 syrup/2 braided water/1, 3/8" CO2 200 ft			14.5
975FR-00100012-05	Tubing bundle fire retardant 13 line 10 syrup/2 braided water/1, 3/8" CO2 500 ft			15.7

* Other configurations are available as special order.

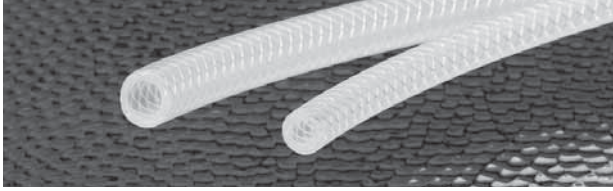


Single Line Braided Tubing

Bev-Seal Ultra® (best quality) multilayer construction provides oxygen and flavor barrier protection combined with true flushability of the Glas-Flex™ liner, NSF-51 and NSF-61 listed. Series 175 is polyester yarn-reinforced and Series 178 is wire-reinforced. Single line tubing is sold in the spool sizes listed below. If you need other lengths, please call for pricing.

Item	Description	Nominal		Working Pressure		Min. Bend Radius	Clamp Size (mm)
		ID	OD	70°F	122°F		
175-04500-00	Tubing single .265 x .420 ultra braided white 500 ft	.265	.420	300	150	1.75	11.3
175-06300-00	Tubing single .375 x .535 ultra braided white 300 ft	.375	.535	300	150	3.00	14.5
175-08300-00	Tubing single .510 x .675 ultra braided white 300 ft	.510	.675	250	125	4.50	18.5

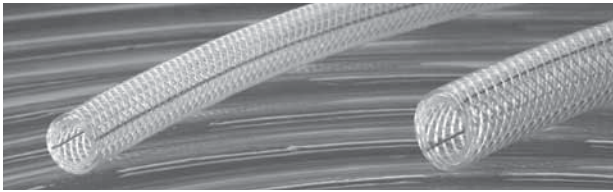
TUBING & CLAMPS



Poly Braided Hose

Bev-Flex® Series 172 is polyester-reinforced braided hose that provides pressure performance, exceptional flexibility and kink-resistance. It also provides low odor and taste, and excellent stress crack resistance. NSF-51 and NSF-61 listed.

Item	Description	Nominal		Working Pressure		Min. Bend Radius	Clamp Size (mm)
		ID	OD	70°F	122°F		
172-04102-77	Tubing single .265 x .457 braided white 100 ft	.250	.385	250	125	1.25	10.5
172-04122-77	Tubing single .265 x .457 braided blue 100 ft						
172-04502-00	Tubing single .265 x .457 braided white 500 ft						
172-04512-00	Tubing single .265 x .457 braided red 500 ft						
172-04522-00	Tubing single .265 x .457 braided blue 500 ft						
172-06100-77	Tubing single .380 x .593 braided white 100 ft	.380	.593	200	100	3.0	19.8
172-06120-77	Tubing single .380 x .593 braided blue 100 ft						
172-06300-00	Tubing single .380 x .593 braided white 300 ft						
172-06310-00	Tubing single .380 x .593 braided red 300 ft						
172-06320-00	Tubing single .380 x .593 braided blue 300 ft						
172-06323-00	Tubing single .380 x .593 braided blue 300 ft						
172-06520-00	Tubing single .380 x .593 braided blue 500 ft						
172-08300-00	Tubing single .510 x .740 braided white 300 ft	.510	.740	200	100	3.0	19.8



PVC Braided Hose

Clearbraid® Series K3150 is blue-tinted, crystal clear, reinforced PVC ideal for flexible water or juice lines. Spiraled polyester yarn reinforcement provides pressure performance and kink-resistance while reducing elongation under pressure. NSF-51 and NSF-61 listed.

Item	Description	Nominal		Working Pressure		Min. Bend Radius	Clamp Size (mm)
		ID	OD	70°F	122°F		
K3150-04	Tubing single 1/4 braided PVC clear 100 ft	1/4"	.438"	250	150	2.0"	12.3
K3150-05	Tubing single 5/16 braided PVC clear 100 ft	5/16"	.531"	250	135	2.5"	13.3
K3150-06	Tubing single 3/8 braided PVC clear 100 ft	3/8"	.594"	225	125	3.0"	15.7
K3150-06X300	Tubing single 3/8 braided PVC clear 300 ft	3/8"	.594"	225	125	3.0"	15.7
K3150-08X100	Tubing single 1/2 braided PVC clear 100 ft	1/2"	.750"	200	100	4.0"	19.8
K3150-08X300	Tubing single 1/2 braided PVC clear 300 ft	1/2"	.750"	200	100	4.0"	19.8
K3150-12X100	Tubing single 3/4 braided PVC clear 100 ft	3/4"	1.031"	150	85	6.0"	27.1
K3150-16	Tubing single 1" clear braided PVC 100 ft	1"	1.300"	125	75	8.0"	30.1
K3130-06X300	Tubing single 3/8 x 5/8 heavy wall PVC 300 ft	3/8"	.625	275	145	6.25"	

TUBING & CLAMPS

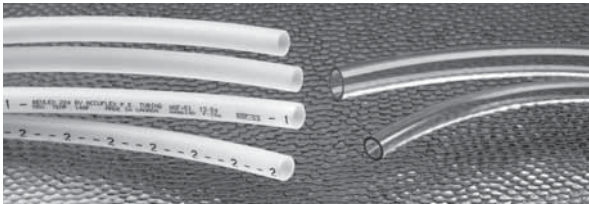


Single Line Barrier Tubing

Bev-Seal Ultra® Series 235 polyolefin tubing has unsurpassed oxygen and flavor protection. Dual barrier construction of Glas-Flex™ inner liner surrounded by a seamless extruded outer layer allows changeovers from even the most pungent flavors with simple flushing procedures. NSF-51 and NSF-61 listed. Series 235 tubing is individually numbered and has three color-coded strips 120° apart.

Item	Description	Nominal		Working Pressure		Min. Bend Radius	Clamp Size (mm)
		ID	OD	70°F	122°F		
235-0662-01	Tubing single .265 x .375 blue trace 500 ft #1	.265	.375	125	45	1.25	10.0
235-0662-02	Tubing single .265 x .375 black trace 500 ft #2	.265	.375	125	45	1.25	10.0
235-0662-03	Tubing single .265 x .375 red trace 500 ft #3	.265	.375	125	45	1.25	10.0
235-0662-04	Tubing single .265 x .375 green trace 500 ft #4	.265	.375	125	45	1.25	10.0
235-0662-05	Tubing single .265 x .375 yellow trace 500 ft #5	.265	.375	125	45	1.25	10.0
235-0662-06	Tubing single .265 x .375 orange trace 500 ft #6	.265	.375	125	45	1.25	10.0
235-0662-08	Tubing single .265 x .375 white trace 500 ft #8	.265	.375	125	45	1.25	10.0
235-0662-12	Tubing single .265 x .375 black trace 500 ft #12	.265	.375	125	45	1.25	10.0
235-0862X500	Tubing single .380 x .500 ultra white 500 ft	.380	.500	100	40	2.25	14.0

*Color and numbers are: 01 = blue, 02 = black, 03 = red, 04 = green, 05 = yellow, 06 = orange, 08 = white, 12 = black



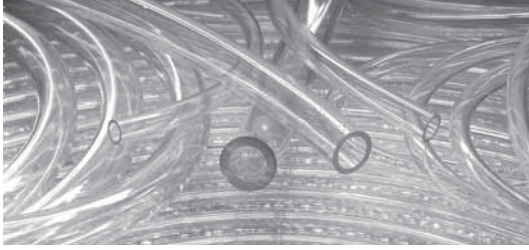
Single Line Non-Barrier Tubing

Bevlex® Series 222/224 low density non-barrier opaque polyethylene tubing is taste-free and great for syrup and liquor transfer. Series 224 is numbered. NSF-51 and NSF-61 certified.

Item	Description	Nominal		Working Pressure		Min. Bend Radius	Clamp Size (mm)
		ID	OD	70°F	122°F		
222-06622-00	Tubing single .265 x .375 pe clear 500 ft	.265	.375	125	50	1.25	10.0
222-08620-00	Tubing single .380 x .500 pe clear 500 ft	.380	.500	100	35	2.00	14.0
222-10620-00	Tubing single .510 x .625 pe clear 500 ft	.510	.625	75	25	6.00	17.0
224-08620-01	Tubing single .380 x .500 blue trace 500 ft	.380	.500	100	35	2.00	14.0
224-08620-03	Tubing single .380 x .500 red trace 500 ft roll	.380	.500	100	35	2.00	14.0

* Series 224 is number coded 1 - 12.

TUBING & CLAMPS



Clear, Food-Grade PVC Tubing

Klearon™ Series K010 blue-tinted, crystal clear, PVC tubing is flexible and kink-resistant. Glass smooth interior provides minimal flow resistance, and tight dimensional tolerances make it easy to get consistent fitting retention. NSF-51 and NSF-61 listed.

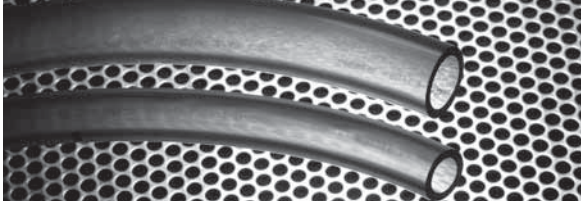
Item	Description	Nominal		Working Pressure		Min. Bend Radius	Clamp Size (mm)
		ID	OD	70°F	122°F		
K010-0406	Tubing single 1/4 x 3/8 food grade PVC clear 100 ft	1/4	3/8	55	20	3.5	10.0
K010-0608	Tubing single 3/8 x 1/2 food grade PVC clear 100 ft	3/8	1/2	45		5.0	13.3
K010-0810	Tubing single 1/2 x 5/8 food grade PVC clear 100 ft	1/2	5/8	30	7	7.5	17.0
K010-1418X100	Tubing single 7/8 x 1 1/8 food grade PVC clear 100 ft	7/8	1-1/8	30		11.3	28.6



Bevlex® Series 200 clear PVC tubing for bag-in-box and draft beer transfer has special dual durometer construction providing flexibility, kink resistance and taste protection. Series 203 black tubing is for carbon dioxide supply lines. Series 204 red tubing is for air supply lines. All are NSF-51 listed.

Item	Description	Nominal		Working Pressure		Min. Bend Radius	Clamp Size (mm)
		ID	OD	70°F	122°F		
200-0307	Tubing BIB 3/16 x 7/16 PVC clear 100 ft	3/16	7/16	80	26	2.0	12.3
200-0408	Tubing BIB 1/4 x 1/2 PVC clear 100 ft	1/4	1/2	70	23	3.0	13.3
200-0509	Tubing BIB 5/16 x 9/16 PVC clear 100 ft	5/16	9/16	60	20	3.7	15.7
200-0609	Tubing BIB 3/8 x 9/16 PVC clear 100 ft	3/8	9/16	40	13	5.0	15.7
200-0610	Tubing BIB 3/8 x 5/8 PVC clear 100 ft	3/8	5/8	50	16	4.5	17.0
200-0610X50	Tubing BIB 3/8 x 5/8 PVC clear 50 ft	3/8	5/8	50	16	4.5	17.0

TUBING & CLAMPS

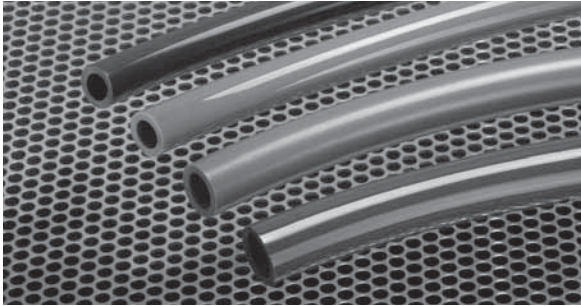


Drain Tubing

Sani-Clean AM™ Series 218 drain tubing contains anti-microbial additive that discourages bacteria and fungal growth on both inner and outer surfaces. The tubing's translucent metallic gray color gives it a sanitary appearance, while allowing visual inspection of the line. Great for ice machines, dispensing equipment, condensate drains, etc.

Item	Description	Nominal		Working Pressure		Min. Bend Radius	Clamp Size (mm)
		ID	OD	70°F	122°F		
218-0812	Tubing drain 1/2 x 3/4 saniclean gray 100 ft	1/2	3/4	45	12	6.0	19.8
218-1014	Tubing drain 5/8 x 7/8 saniclean gray 100 ft	5/8	7/8	40	10	8.0	22.6
218-1216	Tubing drain 3/4 x 1 saniclean gray 100 ft	3/4	1	39	8	9.0	27.1
218-1620	Tubing drain 1 x 1 1/4 saniclean gray 100 ft	1	1 1/4	25	5	12.0	33.1

Item	Description	Nominal		Working Pressure		Min. Bend Radius	Clamp Size (mm)
		ID	OD	70°F	122°F		
K7218-16X100	Tubing drain 1 x 1 1/4 saniclean gray 100 ft	1	1 1/4	70	35	5.0	N/A



Single Line Non-Barrier Tubing

213 Series Industrial grade PVC Tubing provides economical lightweight flexibility and kink-resistance.

213 Series is black, 213G is green, and 213B is blue, and 215 Series is gray.

Item	Description	Nominal		Working Pressure		Min. Bend Radius	Clamp Size (mm)
		ID	OD	70°F	122°F		
213-0812X100	Tubing drain 1/2 x 3/4 black 100 ft	1/2	3/4	45	12	6.0	19.8
213-1014	Tubing drain 5/8 x 7/8 black 100 ft	5/8	7/8	40	10	8.0	22.6
213-1216	Tubing drain 3/4 x 1 black 100 ft	3/4	1	39	8	9.0	27.1
213-16200-00	Tubing drain 1 x 1 1/4 black 100 ft	1	1 1/4	25	5	12.0	33.1
213G-1014X100	Tubing drain 5/8 x 7/8 green 100 ft	5/8	7/8	40	10	8.0	22.6
213B-1216X100	Tubing drain 3/4 x 1 blue 100 ft	3/4	1	39	8	9.0	27.1
215-0812	Tubing drain 1/2 x 3/4 gray 100 ft	1/2	3/4	45	12	6.0	19.8

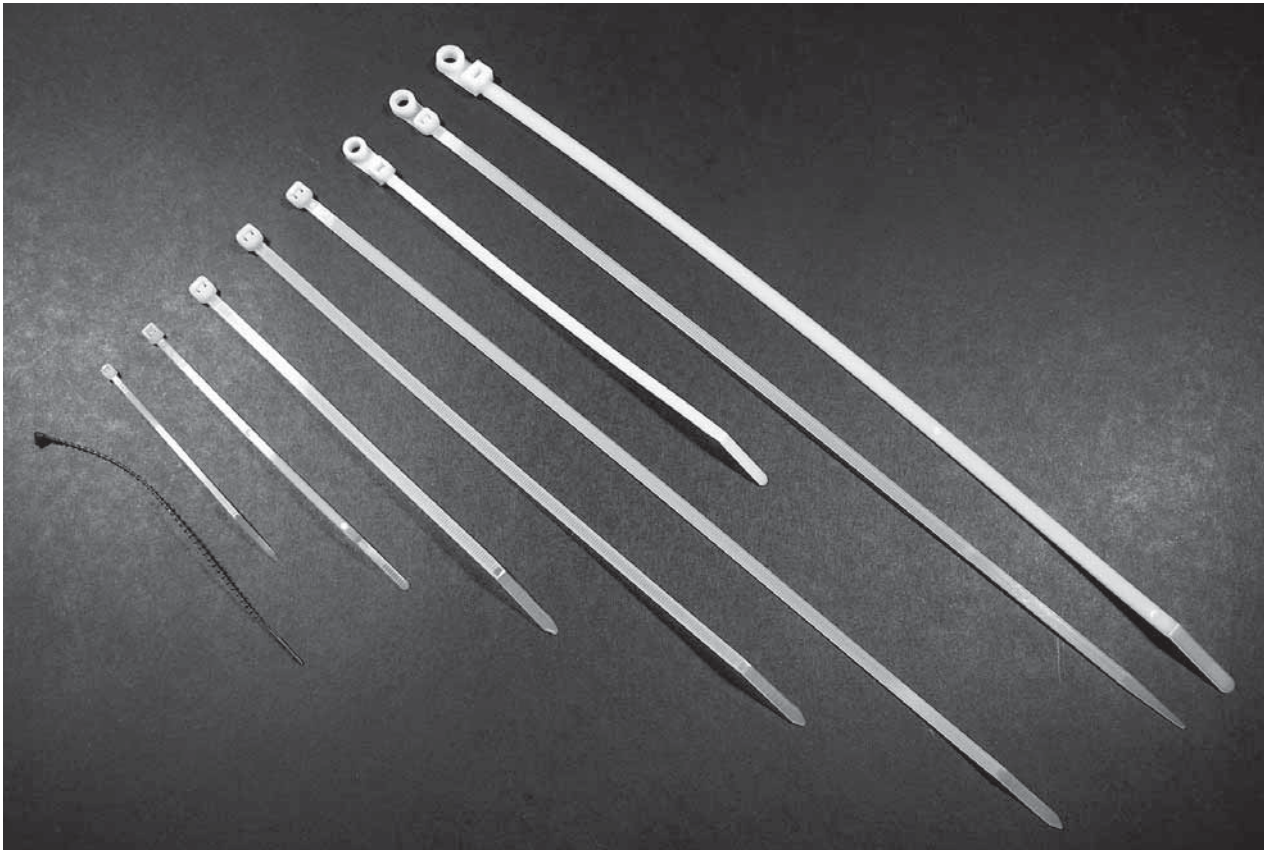
TUBING & CLAMPS

Cable Ties

Item	Description
08354	Securatie 5 inch red 5m per ctn
08356	Securatie 5 inch blue 5m per ctn
08415	Cable tie screw mount 8 inch natural
08471	Cable tie ladder style 11 inch natural
10035	Cable tie screw mount 14 1/2 inch natural
42050	Cable tie 4 inch natural
42150	Cable tie 5 1/2 inch natural
42180	Cable tie 8 inch natural
42280	Cable tie 7 1/2 inch natural
42330	Cable tie 11 inch natural
SM0300N050NC	Cable tie screw mount 11 inch natural
SM0370N050NC	Cable tie screw mount 14 1/2 natural

Left to right:

1. 08357
2. 42050
3. 42150
4. 42280
5. 42330
6. 42360
7. 08415
8. SM0370N050NC
9. 10035



TUBING & CLAMPS

Oetiker Stepless® Ear Clamps

The term "Stepless" relates to the absence of gaps or steps on the clamp's inner circumference. The unique tongue-in-groove design provides uniform compression and a 360° seal. Smooth-edged band steel prevents damage to hose, and the clamp is well-suited for flexible thin-walled hose.

The first half of the item numbers below refer to the each clamp's maximum outside diameter hose capacity, measured in millimeters. The second half of the item number refers to the width and thickness of the band: 505 is 5 mm wide and .05 mm thick, and 706 is 7 mm wide and .06 mm thick.

Item	Description	Size Range (mm)
6.5-505R	Clamp stepless S/S 1/4"	5.3 – 6.5 O.D. Tubing
7.0-505R	Clamp stepless S/S 9/32"	5.8 – 7.0 O.D. Tubing
8.0-505R	Clamp stepless S/S 5/16"	6.8 – 8.0 O.D. Tubing
8.7-505R	Clamp stepless S/S 11/32"	7.0 – 8.7 O.D. Tubing
9.5-505R	Clamp stepless S/S 3/8"	7.8 – 9.5 O.D. Tubing
10.0-505R	Clamp stepless S/S 25/64"	8.3 – 10.0 O.D. Tubing
10.5-505R	Clamp stepless S/S 13/32"	8.8 – 10.5 O.D. Tubing
10.9-505R	Clamp stepless S/S 27/64"	9.2 – 10.9 O.D. Tubing
11.3-505R	Clamp stepless S/S 7/16"	9.6 – 11.3 O.D. Tubing
11.8-505R	Clamp stepless S/S 29/64"	10.1 – 11.8 O.D. Tubing
12.3-706R	Clamp stepless S/S 15/32"	9.8 – 12.3 O.D. Tubing
12.8-706R	Clamp stepless S/S 31/64"	10.3 – 12.8 O.D. Tubing
13.3-706R	Clamp stepless S/S 1/2"	10.8 – 13.3 O.D. Tubing
13.8-706R	Clamp stepless S/S 33/64"	11.3 – 13.8 O.D. Tubing
14.0-706R	Clamp stepless S/S 35/64"	11.5 – 14.0 O.D. Tubing
14.5-706R	Clamp stepless S/S 9/16"	12.0 – 14.5 O.D. Tubing
15.7-706R	Clamp stepless S/S 5/8"	13.2 – 15.7 O.D. Tubing
17.0-706R	Clamp stepless S/S 11/16"	14.5 – 17.0 O.D. Tubing
18.5-706R	Clamp stepless S/S 23/32"	15.3 – 18.5 O.D. Tubing
19.8-706R	Clamp stepless S/S 3/4"	16.6 – 19.8 O.D. Tubing
21.0-706R	Clamp stepless S/S 13/16"	17.8 – 21.0 O.D. Tubing
22.6-706R	Clamp stepless S/S 7/8"	19.4 – 22.6 O.D. Tubing
24.1-706R	Clamp stepless S/S 15/16"	20.9 – 24.1 O.D. Tubing
25.6-706R	Clamp stepless S/S 1"	22.4 – 25.6 O.D. Tubing
27.1-706R	Clamp stepless S/S 1-1/16"	23.9 – 27.1 O.D. Tubing
28.6-706R	Clamp stepless S/S 1-1/8"	25.4 – 28.6 O.D. Tubing
31.6-706R	Clamp stepless S/S 1-1/4"	28.4 – 31.6 O.D. Tubing
38.1-706R	Clamp stepless S/S 1-1/2"	34.9 – 38.1 O.D. Tubing

Installation example

Position clamp on hose with end fitting inserted. Close clamp ear(s) fully.



Opening permissible after crimping use of straight jaw pincer



Use of side jaw pincer held parallel to hose



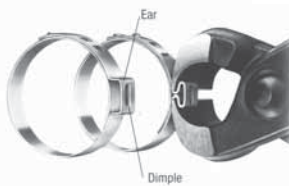
Use of pneumatic power tool



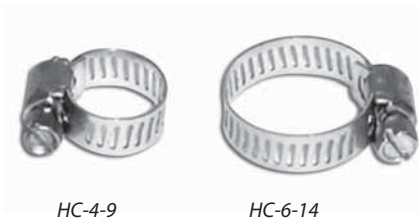
Remove clamp by cutting through outer edge of ear with pincers.



To remove stepless or adjustable clamps. Grip band end and pull over ear.



TUBING & CLAMPS



Adjustable Hose Clamps

Item	Description	Fits (inches)
HC-4-9	Hose screw clamp	1/4 - 5/8 O.D. Tubing
HC-6-14	Hose screw clamp	3/8 - 7/8 O.D. Tubing

Conduit/Tubing Accessories

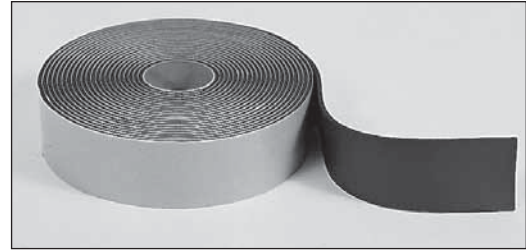
19-0219		959-01	
 <p><i>Pincher, side jaw</i></p>			
958-01	954-01	<p><i>Cutter, tubing</i> 959-03 Blades, replacement for 959-01</p>	
 <p><i>Cutter, hose</i> 958-03 Blades, replacement for 958-01</p>	 <p><i>Cutter, bundle</i> 954-03 Blades, replacement for 954-01</p>		

TUBING & CLAMPS

Tape

Flavors change frequently. Please call for line tape availability.

Item	Description
1078-ORA	Tape, electrical 3/4" x 60'
1076-ORA	Tape, teflon 1/2" x 520"
5029545	Tape, black PVC 3" wide x 180'
53953BK	Tape, black duct 9ml x 2"x 180'
TFR-32	Tape, foam insulation 1/8" x 2" x 30'



Bev-Flex®, *Bevlex®*, *Clearbraid®*, and *Glas-Flex™* are registered trademarks of Accuflex Industrial Hose Ltd., Guelph, ON, Canada.
Bev-Seal Ultra®, and *Polyspring®* are registered trademarks of Kuriyama of America, Inc., Elk Grove Village, Illinois.
Klearon™ and *Sani-Clean AM™* are trademarks of Kuriyama of America, Inc., Elk Grove Village, Illinois.
Oetiker Stepless is a registered trade mark of Oetiker Inc., Marlette, Michigan.

In the interest of continued product improvement, we reserve the right to change specifications without notice
3178G Multiplex Beverage 2022

Toll Free: 1.844.724.2273

www.multiplexbeverage.com



CO₂ REGULATORS

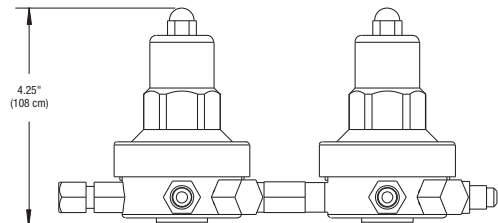
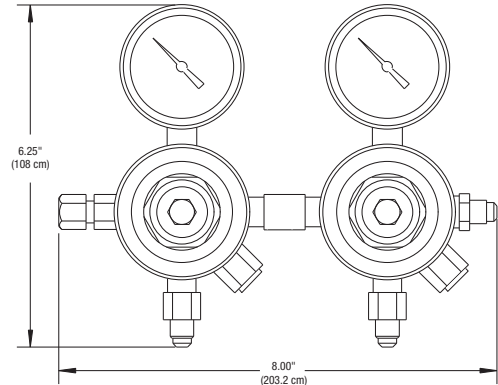
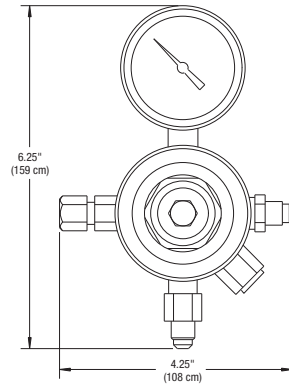
730-Series Secondary CO₂ Pressure Regulator



Low pressure wall mounting secondary regulators have a new interlocking seat and diaphragm, an integral safety preset at 130 psi, and a self-relieving diaphragm.

The down-stream pressure will not exceed 143 psi. Operating range is 0 – 100 psi. HP and LP ports are 1/4" FPT.

Item	Description
YQT-731D	Regulator CO ₂ double secondary, 2 pressure 2 product
YQT-731A1	Regulator secondary, 1 pressure 1 product w/ bracket



In the interest of continued product improvement, we reserve the right to change specifications without notice
3178G Multiplex Beverage 2022

Toll Free: 1.844.724.2273

www.multiplexbeverage.com

 WELBILT
KITCHENCARE

CO₂ REGULATORS



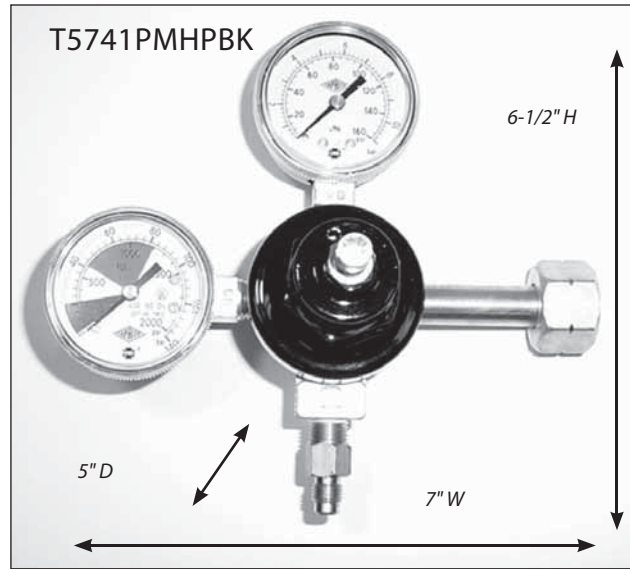
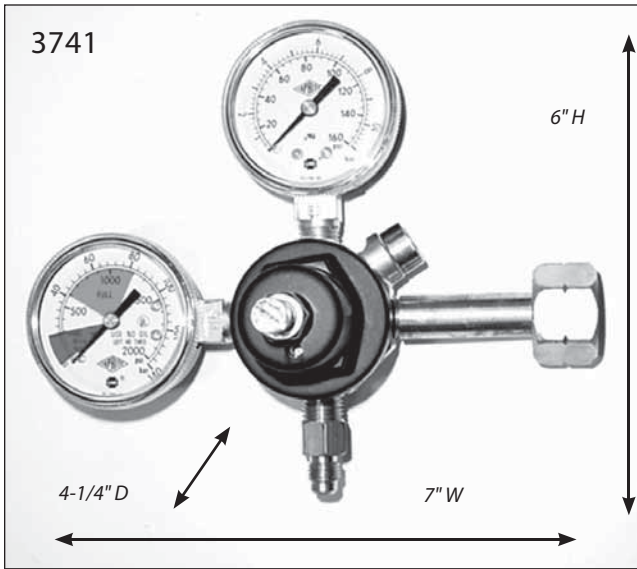
Primary Regulators

High pressure cylinder or wall mounting primary regulators have a built-in safety pre-set at 130 PSI. The maximum down-stream pressure will not exceed 143 PSI. Seat assembly is easily replaceable in the field.

The 3000 Series includes a stainless steel ball check valve and self-relieving diaphragm.

Operating range for both 3000 and 5700 Series is 0 – 130 PSI. Temperature range is -40F/+200F (-40C/+93C). HP and LP ports are 1/4" FPT.

A metal filter in the inlet nipple prevents particles from damaging internal regulator parts.



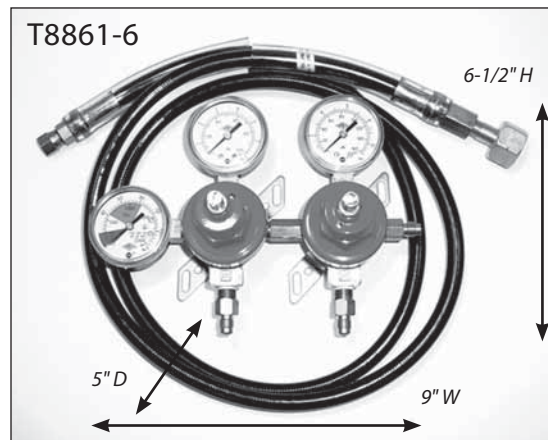
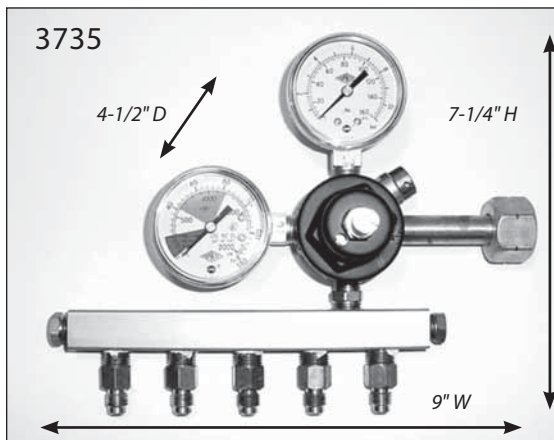
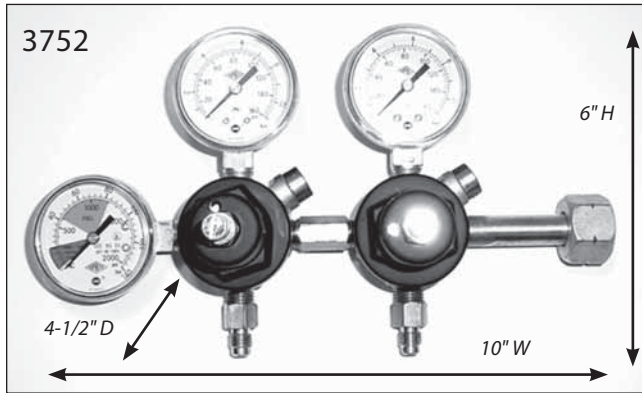
Item	Description
3735	Regulator CO ₂ primary 1 pressure 5 product
3741	Regulator CO ₂ primary 1 pressure 1 product
3741-GG	Regulator CO ₂ primary 1 pressure 1 product w/gauge guard
3741-GUARD	Regulator CO ₂ primary 1 pressure 5 Product with metal gauge guard
3752	Regulator CO ₂ primary 2 pressure 2 product w/2 160 lb gauges

Item	Description
T5741PMHPBK	Regulator CO ₂ primary high performance 1 pressure 1 product
T5745HPBK	Regulator CO ₂ primary high performance 1 pressure 5 product

CO₂ REGULATORS

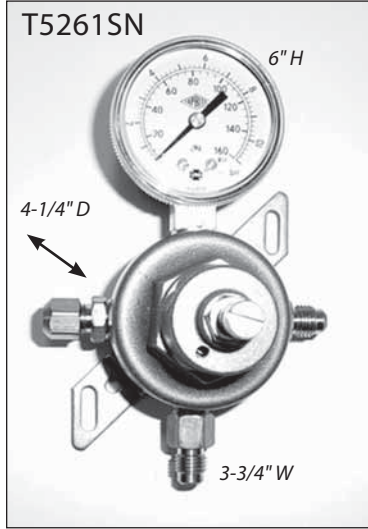
Primary Regulators

High pressure hose has a swivel CO₂ inlet, 1/4" SAE outlet, vinyl bend limiter, and working pressure is 2700 PSI.



Item	Description
T8861-6	Regulator CO ₂ primary 2 pressure 2 product wall mount w/6 ft hose

CO₂ REGULATORS



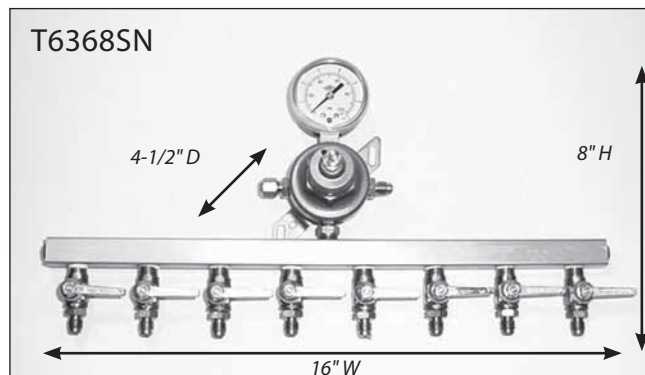
Secondary Regulators

Low pressure wall mounting secondary regulators have a new interlocking seat and diaphragm, an integral safety preset at 130 psi, and a self-relieving diaphragm. The down-stream pressure will not exceed 143 psi.

Operating range is 0 – 100 psi.
Temperature range is -40F/+200F (-40C/+93C). All four ports are 1/4" FPT.










Item	Description
T5261SN	Regulator CO ₂ secondary 1 pressure 1 product
T5261SN-160	Regulator CO ₂ secondary 1 pressure 1 product w/160 lb gauge
T5261SND	Regulator CO ₂ secondary 1 pressure 1 product w/30 lb gauge
5261SND2	Regulator CO ₂ secondary 2 pressure 2 product
T6368SN	Regulator CO ₂ secondary 1 pressure 8 product w/shutoffs



CO₂ REGULATORS

Regulator Gauges

<p style="text-align: center;">5602</p>  <p style="text-align: center;"><i>Gauge right hand 0 to 30 PSI</i></p>	<p style="text-align: center;">5605</p>  <p style="text-align: center;"><i>Gauge right hand 0 to 160 PSI</i></p>
<p style="text-align: center;">624-1</p>  <p style="text-align: center;"><i>Gauge right hand 0 to 100 PSI</i></p>	<p style="text-align: center;">5603</p>  <p style="text-align: center;"><i>Gauge right hand 0 to 2000 PSI</i></p>
<p style="text-align: center;">6603</p>  <p style="text-align: center;"><i>Gauge left hand 0 to 2000 PSI</i></p>	<p style="text-align: center;">18-0198</p>  <p style="text-align: center;"><i>Single body gauge guard</i></p>
<p style="text-align: center;">600GP</p>  <p style="text-align: center;"><i>Gauge guard rubber Taprite</i></p>	

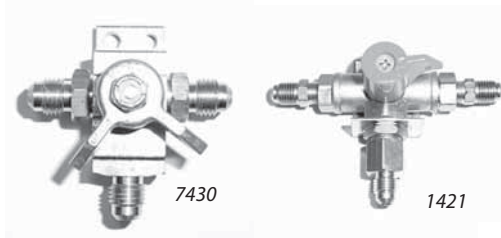
CO₂ REGULATORS

Regulator Parts and Accessories

Item	Description
JO-K-H4H4	1/4 barb x 1/4 hose barb shutoff
1690-3S	Bolt hex head for mounting bracket Taprite
740-19	CO ₂ nut & nipple
1421	Changeover valve CO ₂ Chudnow
7430	Changeover valve CO ₂ Taprite
431-P44	Check valve ball type 1/4 MPT x 1/4 MF brass
3740-6T	Diaphragm assembly 3000 Series Taprite
7000-5A	Hose assembly 6 ft high pressure

Item	Description
740-12	Nipple assembly inlet 5000 Series Taprite
440-12	Nipple CO ₂ right hand
5436A	Outlet sitting w/ check valve 1/4 SAE Taprite
19-0733-02	Pressure relief valve 1/2 outlet 180 PSI
440-17Q	Quad O-ring for tank conn. STE
08-1080-00	Regulator glide bracket accessory
3740-15	Regulator repair kit 3000 Series Taprite
7740-15	Regulator repair kit 5000 Series Taprite
99-0033	Regulator wrench McCann's
JO-K4X-H6H6	Shutoff 3/8 hose barb brass
JO-11-4-250LH	Tank connector left hand
63 CHD	Washer CO ₂ fiber
PCO2-BLUE	Washer CO ₂ nylon blue
PCO2-NATURAL	washer CO ₂ nylon natural

Taprite is a registered trademark of Taprite-Fassco Mfg., Inc.
San Antonio, Texas





FITTINGS


Our most popular fittings are shown in this section, but many other fittings are available. If you don't find what you are looking for please call Customer Service to check availability.


Stainless Steel


Photos are not to scale.


Stems		
		
Item	Description	Class
S72BNB	Stem 1/4 for 1/4 nut SS	PREM
012574049	Stem 1/4 for 1/4 nut SS	PREM
3007	Stem 1/4 for 5/16 nut SS	PREM
3008	Stem 1/4 for 3/8 nut SS	PREM
012576069	Stem 3/8 for 3/8 nut SS	PREM
3157	Stem 1/2 for 1/2 nut SS	PREM


Nut & Stem Sets		
		
Item	Description	Class
012524045/ 012574049	Nut and stem set 1/4	PREM
012526065/ 012576069	Nut and stem set 3/8	PREM
7058	Fitting 1/4 sw nut x 3/8 barb SS	PREM
7114	Fitting 3/8 sw nut x 1/2 barb SS	PREM

Plugs		
		
Item	Description	Class
3027	Plug 1/4 barb SS	PREM
012564141	Plug 1/4 barb SS	ECON
3028	Plug 3/8 barb SS	PREM
012566161	Plug 3/8 barb SS	ECON
3165	Plug 1/2 barb SS	PREM


Washers	
	
Item	Description
NY45-4	Washer 1/4 flare nylon
NY45-5	Washer 5/16 flare nylon
NY45-6	Washer 3/8 flare nylon
NY45-8	Washer 1/2 flare nylon


Nuts		
		
Item	Description	Class
012524045	Nut 1/4 swivel SS	PREM
3196	Nut 1/4 swivel SS	PREM
1002	Nut 5/16 swivel SS	PREM
012526065	Nut 3/8 swivel SS	PREM
3178	Nut 3/8 swivel SS	PREM
1009	Nut 1/2 swivel SS	PREM


Cap Nuts		
		
Item	Description	Class
3093	Cap Nut 1/4 FF SS	PREM
3094	Cap Nut 3/8 FF SS	PREM


Flared Plugs		
		
Item	Description	Class
3033	Plug 1/4 MF SS	PREM
3036	Plug 3/8 MF SS	PREM


FITTINGS


Splicers		
		
Item	Description	Class
7107	Splicer 1/8 barb SS	PREM
012544140	Splicer 1/4 barb SS	ECON
4001	Splicer 1/4 barb SS	PREM
3013	Splicer 3/8 barb SS	PREM
012546160	Splicer 3/8 barb SS	ECON
012548181	Splicer 1/2 barb SS	PREM
S40-24	Splicer 1/4 x 1/8 barb SS	PREM
7012	Splicer 1/4 x 3/8 barb SS	PREM
012544161	Splicer 1/4 x 3/8 barb SS	ECON
3137	Splicer 1/4 x 1/2 barb SS	PREM
3138	Splicer 3/8 x 1/2 barb SS	PREM

Tees, Welded Barbs & Swivel Nut		
		
Item	Description	Class
7044	Tee (2) 1/4 barb x 1/4 sw nut SS	PREM
7082	Tee (2) 3/8 barb x 1/4 sw nut SS	PREM
7045	Tee (2) 3/8 barb x 3/8 sw nut SS	PREM

Tees, Welded Barbs & Male Flare		
		
Item	Description	Class
7023	Tee (2) 1/4 barb x 1/4 MF SS	PREM
7024	Tee (2) 3/8 barb x 3/8 MF SS	PREM

Tees, Welded Barbs & Swivel Nut		
		
Item	Description	Class
Item	Description	Class
4002	Splicer 1/4 barb 90 degree	PREM
012544541	Splicer 1/4 barb 90 degree	ECON
7130	Splicer 1/4 x 3/8 barb 90 degree SS	PREM
4005	Splicer 3/8 barb 90 degree	PREM
012546561	Splicer 3/8 barb 90 degree	ECON
9015	Splicer 1/2 barb 90 degree	ECON

Wunderbar Barbed Inlets		
		
Item	Description	Class
3079	Inlet fitting 1/4 long Wunderbar	PREM
3055	Inlet fitting 1/4 90 degree SS Wunderbar	PREM
3056	Inlet fitting 3/8 short Wunderbar	PREM
7062	Inlet fitting 3/8 long Wunderbar	PREM
7090	Inlet fitting 3/8 45 degree SS Wunderbar	PREM
7068	Inlet fitting 3/8 90 degree SS Wunderbar	PREM
7192	Inlet fitting 3/8 90 degree long SS Wunderbar	PREM

SHURflo barbed inlets		
		
Item	Description	Class
7235	Inlet fitting 1/2 90 degree SS SHURflo	PREM
94-178-07	Inlet fitting 1/4 90 degree SS SHURflo	PREM

FITTINGS

Flojet Barbed Inlets



Item	Description	Class
7096	Inlet fitting 1/4 90 degree SS Flojet	PREM
012546161	Inlet fitting 3/8 straight SS Flojet	PREM
7100	Inlet fitting 3/8 90 degree SS Flojet	PREM

Tees



Item	Description	Class
7006	Tee 1/4 barb SS	PREM
012554141	Tee 1/4 barb SS	ECON
S33-5	Tee 5/16 barb SS	PREM
7007	Tee 3/8 barb SS	PREM
012556161	Tee 3/8 barb	ECON
7079	Tee 1/2 barb SS	PREM
7009	Tee (2) 1/4 x 3/8 barb SS	PREM
7065	Tee (2) 1/4 x 1/2 barb SS	PREM
7008	Tee (2) 3/8 x 1/4 barb SS	PREM
012556141	Tee (2) 3/8 x 1/4 barb SS	ECON
7101	Tee (2) 3/8 x 1/2 barb SS	PREM
7097	Tee (2) 1/2 x 1/4 barb SS	PREM
7080	Tee (2) 1/2 x 3/8 barb SS	PREM

General Beverage Barbed Inlets




Item	Description	Class
7108	Inlet fitting 1/4 90 degree double O-ring SS gen bev	PREM
7128	Inlet fitting 1/4 90 degree SS dole	PREM
7072	Inlet fitting 3/8 90 degree double O-ring SS gen bev	PREM


Elbows, Barb & Swivel Nut





Item	Description	Class
7013	Elbow 1/4 sw nut x 1/4 barb SS	PREM
7015	Elbow 1/4 sw nut x 1/4 barb 180 degree SS	PREM
7073	Elbow 1/4 sw nut x 3/8 barb 90 degree SS	PREM
S30-64	Elbow 1/4 sw nut x 3/8 barb SS	PREM
7059	Elbow 3/8 sw nut x 1/4 barb SS	PREM
7018	Elbow 3/8 sw nut x 3/8 barb 90 degree SS	PREM


FITTINGS


Elbows, Barb & Swivel Nut		
		
Item	Description	Class
7089	Tee Y 1/4 barb SS	PREM
9089	Tee Y 1/4 barb SS	ECON
S33-4XY	Tee Y 1/4 barb SS	PREM
7136	Tee Y 3/8 barb SS	PREM
012556160	Tee Y 3/8 barb SS	ECON
7266	Tee Y 1/2 barb SS	PREM
7075	Tee Y (2) 1/4 x 3/8 barb SS	PREM

Crosses		
		
Item	Description	Class
7010	Cross 1/4 barb SS	PREM
012584141	Cross 1/4 barb SS	ECON
012586161	Cross 3/8 barb SS	ECON
7019	Cross (3) 1/4 x 3/8 barb SS	PREM

Adapters, Female Flare		
		
Item	Description	Class
3091	Adapter 1/4 FF x 3/8 barb SS	PREM
3082	Adapter 1/4 FF x 3/8 MF SS	PREM

Connectors, Male Pipe & Hose		
		
Item	Description	Class
7166	Fitting 3/8 MPT x 3/8 hose	PREM
7175	Fitting 1/2 MPT x 3/8 hose	PREM
7186	Fitting 1/2 MPT x 1/2 hose	PREM

Elbows, Welded Barb & Male Flare		
		
Item	Description	Class
7052	Elbow 1/4 sw nut x 1/4 barb SS	PREM
7053	Elbow 1/4 sw nut x 3/8 barb SS	PREM
7054	Elbow 3/8 sw nut x 3/8 barb SS	PREM

Adapters, Barb & Male Flare		
		
Item	Description	Class
3015	Adapter 1/4 MF x 1/4 barb SS	PREM
3017	Adapter 1/4 MF x 3/8 barb SS	PREM
3016	Adapter 5/16 MF x 1/4 barb SS	PREM
3018	Adapter 5/16 MF x 3/8 barb SS	PREM
3080	Adapter 3/8 MF x 1/4 barb SS	PREM
3081	Adapter 3/8 MF x 3/8 barb SS	PREM

FITTINGS

Adapters, Female Pipe Thread & Barb



Item	Description	Class
S23-44	Adapter 1/4 barb x 3/8 FPT non sw SS	PREM

Unions, Male Flare & Male Pipe Thread



Item	Description	Class
S88-44	Union 1/4 MF x 1/4 MPT SS	PREM
S88-66	Union 3/8 MF x 3/8 MPT SS	PREM
S88-68	Union 3/8 MF x 1/2 MPT SS	PREM

Compression, Flare & Tube



Item	Description	Class
7061	Fitting 3/8 MF to sleeve compression for 3/8 Tube SS	PREM

Unions, Male Flare



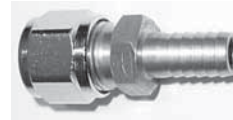
Item	Description	Class
3001	Union 1/4 MF x 1/4 MF SS	PREM
3002	Union 1/4 MF x 5/16 MF SS	PREM
3005	Union 1/4 MF x 3/8 MF SS	PREM
S87-44	Union 1/4 FF x 1/4 MPT SS	PREM
00858115	Union 1/4 MF x 3/8 FP SS	PREM
3004	Union 3/8 MF x 3/8 MF SS	PREM

Adapters, Male Pipe Thread & Barb




Item	Description	Class
S27-42	Adapter 1/4 barb x 1/8 MPT	PREM
3242	Adapter 1/4 barb x 1/4 MPT	PREM
3243	Adapter 3/8 barb x 1/4 MPT	PREM
S27-46	Adapter 1/4 barb x 3/8 MPT	PREM
3240	Adapter 1/4 barb x 3/8 NPT	PREM
S27-64	Adapter 3/8 barb x 1/4 MPT	PREM
3241	Adapter 3/8 barb x 3/8 NPT	PREM
S27-66	Adapter 3/8 barb x 3/8 MPT	PREM
S27-68	Adapter 3/8 barb x 1/2 MPT	PREM
S27-84	Adapter 1/2 barb x 1/4 MPT	PREM
3239	Adapter 3/8 barb x 1/2 NPT	PREM
3216	Adapter 1/2 barb x 1/2 NPT	PREM
3297	Adapter 1/2 barb X 3/8 MPT	PREM


Compression, Barb & Tube





Item	Description	Class
7037	Fitting 1/4 barb to sleeve compression for 1/4 Tube SS	PREM
7041	Fitting 1/4 barb to sleeve compression for 3/8 Tube SS	PREM
7038	Fitting 3/8 barb to sleeve compression to 1/4 Tube SS	PREM
7042	Fitting 3/8 barb to sleeve compression for 3/8 Tube SS	PREM

FITTINGS


U-Bends		
		
Item	Description	Class
4014	Ubend 1/4 barb SS	PREM
4019	Ubend 3/8 barb small radius SS	PREM
4017	Ubend 1/2 barb SS	PREM
9017	Ubend 1/2 barb SS economy	ECON


U-Bend Manifolds		
		
Item	Description	Class
9199	Ubend Manifold (5) 3/8 barb SS economy	ECON


Cross Forks		
		
Item	Description	Class
S37-4FORK	Cross fork 1/4 barb	PREM
S37-6444FORK	Cross fork (3) 1/4 x 3/8 SS	PREM
S37-6FORK	Cross fork 3/8 barb SS	PREM
7144	Cross fork 3/8 barb SS	PREM


U-Bends, Barbed Stem		
		
Item	Description	Class
7051	Ubend Manifold 1/4 barb SS	PREM
012534147	Ubend Manifold 1/4 barb SS	ECON
7126	Ubend Manifold (2) 1/4 x 3/8 barb SS	PREM
7094	Ubend Manifold (2) 3/8 x 1/4 barb small radius SS	PREM
7063	Ubend Manifold 3/8 barb large radius SS	PREM
012536167	Ubend Manifold 3/8 barb SS economy	ECON
7143	Ubend Manifold (2) 3/8 x 1/2 barb SS	PREM
7067	Ubend Manifold (2) 1/2 x 3/8 barb SS	PREM


FITTINGS


Adapters, Barb & Male Pipe	
	
Item	Description
H48-4-4	Adapter 1/4 B x 1/4 MP brass
H48-4-6	Adapter 1/4 B x 3/8 MP brass
H48-6-4	Adapter 3/8 B x 1/4 MP brass
H48-6-6	Adapter 3/8 B x 3/8 MP brass
H48-6-8	Adapter 3/8 B x 1/2 MP brass
H48-8-8	Adapter 1/2 B x 1/2 MP brass


Connectors, Male Flare & Male Pipe	
	
Item	Description
B224-44	Connector 1/4 MF x 1/4 MP brass
B224-46	Connector 1/4 MF x 3/8 MP brass
B224-48	Connector 1/4 MF x 1/2 MP brass
B224-64	Connector 3/8 MF x 1/4 MP brass
B224-66	Connector 3/8 MF x 3/8 MP brass
B224-68	Connector 3/8 MF x 1/2 MP brass
B224-612	Connector 3/8 MF x 3/4 MP brass
B224-86	Connector 1/2 MF x 3/8 MP brass

Needle Valves		
		
Item	Description	Class
V13S	Needle valve SS 1/4 MF x 1/4 MF	PREM


Adapters, Barb & Male Pipe	
	
Item	Description
MS-6-6	Fitting 3/8 B x 3/8 MF
012546168	Fitting 3/8 B x ID 3/8 tube


Unions, Male Flare	
	
Item	Description
B22-44	Connector 1/4 flare union brass
B22-64	Connector 3/8 x 1/4 flare union brass
B22-66	Connector 3/8 flare union brass

Elbows, Male Flare	
	
Item	Description
BL24-46	Connector 1/4 MF x 3/8 MP elbow
BL24-66	Connector 3/8 MF x 3/8 MP elbow
BL24-68	Connector 3/8 MF x 1/2 MP elbow


Couplings, Male Flare & Female Pipe	
	
Item	Description
B225-66	Coupling 3/8 MF x 3/8 FP brass
B225-68	Coupling 3/8 MF x 1/2 FP brass


FITTINGS


Compression Nuts	
	
Item	Description
B6-4N	Nut 1/4 compression brass
B6-6N	Nut 3/8 compression brass


Brass Sleeves	
	
Item	Description
B6-45	Sleeve 1/4 compression brass
B6-65	Sleeve 3/8 compression brass


Delrin Sleeves	
	
Item	Description
60PT-6	Sleeve 3/8 Delrin brass

Inserts	
	
Item	Description
63PT-4-40	Insert 1/4 compression poly
63PT-6-62	Insert 3/8 compression brass


Tees, Male Flare	
	
Item	Description
B32-4	Adapter 1/4 flare tee brass
B32-6	Adapter 3/8 flare tee brass


Flare Nuts	
	
Item	Description
B3-4N	Nut 1/4 flare short brass
B3-6N	Nut 3/8 flare brass


Cap Nuts	
	
Item	Description
BFC-4	Cap 1/4 flare brass
BFC-6	Cap 3/8 flare brass


Compression Tee	
	
Item	Description
B36-6	Connector 3/8 compression tee


FITTINGS

Compression Connectors, Elbow	
	
Item	Description
BL264-66	Connector 3/8 comp x 3/8 MP


Compression Connectors, Male Pipe	
	
Item	Description
B264-64	Connector 3/8 comp x 1/4 MP
B264-66	Connector 3/8 comp x 3/8 MP


Compression Connectors	
	
Item	Description
B26-44	Connector 1/4 compression
B26-64	Connector 3/8 x 1/4 compression
B26-66	Connector 3/8 compression

Swivel Connectors	
	
Item	Description
B33-4N	Connector 1/4 swivel brass
B33-6N	Connector 3/8 swivel brass

Connector, Female Flare	
	
Item	Description
B228-66	Connector 3/8 FF x 3/8 FF brass

Nipple, Male Pipe	
	
Item	Description
B24-44	Nipple 1/4 MP x 1/4 MP hex brass

Tank Connector	
	
Item	Description
JO-11-4-250LH	Tank connector LH

Needle Valves	
	
Item	Description
NV22-44	Needle valve 1/4 straight
NV22-66	Needle valve 3/8 straight

FITTINGS

Garden Hose, Barbed



Item	Description
90GH-12-6	Fitting 3/8 barb x 3/4 garden hose
901GH-12	Washer 3/4 garden hose brass

Y Connector, Female Pipe



Item	Description
5460	Connector y (2) 1/4 FPT x (1) 1/4 MPT brass

Gate Valve



Item	Description
GVT-8	Gate valve, 1/2 FP

Garden Hose, Male Flare




Item	Description
50GHSV-6-12	Fitting 3/8 MF x 1 garden hose swivel


FITTINGS





John Guest Push-In Fittings


Gray acetal copolymer push-in fittings with food grade nitrile O-rings are designed for potable liquids, air and inert gasses such as CO₂.


Connectors, Male Pipe	
	
Item	Description
PI-010822-S	Connector 1/4 OD x 1/4 MPT
PI-010823-S	Connector 1/4 OD x 3/8 MPT
PI-011222-S	Connector 3/8 OD x 1/4 MPT
PI-011223-S	Connector 3/8 OD x 3/8 MPT
PI-011224-S	Connector 3/8 OD x 1/2 MPT


Connectors, Female	
	
Item	Description
PI-4512F4-S	Connector 3/8 OD x 1/4 FF
PI-4512F6-S	Connector 3/8 OD x 3/8 FF

Union Tees	
	
Item	Description
PI-020800-S	Union Tee 1/4 OD
PI-021200-S	Union Tee 3/8 OD
PI-021600-S	Union Tee 1/2 OD

Union Elbows	
	
Item	Description
PI-030800-S	Union Elbow 1/4 OD
PI-031200-S	Union Elbow 3/8 OD

Union Elbows	
	
Item	Description
PI-091223-S	Swivel elbow 3/8 OD x 3/8 MPT

Connectors, Male Flare	
	
Item	Description
PI-0108F4-S	Connector 1/4 OD x 1/4 MF
PI-0112F4-S	Connector 3/8 OD x 1/4 MF
PI-0112F6-S	Connector 3/8 OD x 3/8 MF

Union Connectors	
	
Item	Description
PI-040800-S	Union Connector 1/4 OD
PI-041200-S	Union Connector 3/8 OD

FITTINGS

Divider



Item	Description
PI-231200-S	Divider 2 way 3/8 OD

Reducer



Item	Description
PI-061208-S	Reducer 1/4 OD x 3/8 stem

Plug



Item	Description
PI-080800-S	Plug 1/4 OD John Guest
PI-081200-S	Plug 3/8 OD John Guest

Reducing Unions



Item	Description
PI-201208-S	Reducing union 3/8 x 1/4 OD
PI-201612-S	Reducing union 1/2 x 3/8 OD

Adapter Stem & Barb



Item	Description
PI-250808-S	Tube to hose stem 1/4 OD x 1/4 barb
PI-251012-S	Tube to hose stem 5/16 OD x 3/8 barb
PI-251208-S	Tube to hose stem 3/8 OD x 1/4 barb
PI-251212-S	Tube to hose stem 3/8 OD x 3/8 barb
PI-251216-S	Tube to hose stem 3/8 OD x 1/2 barb
PI-251612-S	Tube to hose stem 1/2 OD x 3/8 barb
PI-251616-S	Tube to hose stem 1/2 OD x 1/2 barb

Shut off valves



Item	Description
PPSV011223W*	Shut off valve 3/8 OD x 3/8 NPTF John Guest
PPSV040808W*	Shut off valve 1/4 OD John Guest
PPSV041212W*	Shut off valve 3/8 OD John Guest

*Not to be used with compressed air, explosive gases, fuels or heating systems.

Connector




Item	Description
SI-270808-S	Connector 1/4 OD x 1/4 barb
SI-271008-S	Connector 5/16 OD x 1/4 barb
SI-271208-S	Connector 3/8 OD x 1/4 barb

Elbow Stem & Barb





Item	Description
PI-291208-S	Tube to hose elbow 3/8 OD x 1/4 barb

FITTINGS


Locking Clips	
	
Item	Description
PIC-1808-R	Locking clip 1/4 OD John Guest
PIC-1812-R	Locking clip 3/8 OD John Guest


Plastic Fittings

Barbed Plugs	
	
Item	Description
M-2PLAS	Plug 1/4 x 3/8 barb plastic

Inline Shutoffs	
	
Item	Description
226-4B4B-B	inline shutoff valve 1/4 barb
226-6B6B-B	inline shutoff valve 3/8 barb

Barbed Tees	
	
Item	Description
1401-005	Tee 1/2 barb plastic
1401-007	Tee 3/4 barb plastic
1401-010	Tee 1 barb plastic

Barbed Splicers	
	
Item	Description
1429-005	Splicer 1/2 barb plastic
1429-007	Splicer 3/4 barb plastic
1429-101	Splicer 3/4 x 1/2 barb plastic
1429-131	Splicer 1 x 3/4 barb plastic

Socket Adapter	
	
Item	Description
474-007	Adapter 3/4 insert x socket

FITTINGS

Male Pipe Adapters



Item	Description
436-005	Adapter 1/2 MPT x 1/2 slip PVC
436-074	Adapter 1/2 MPT x 3/4 slip PVC
436-007	Adapter 3/4 MPT x 3/4 slip PVC

Adapter Female Pipe



Item	Description
1435-007	Adapter 3/4 barb x 3/4 FPT plastic

Barbed Elbows



Item	Description
1406-005	Elbow 1/2 barb plastic
1406-007	Elbow 3/4 barb plastic
1406-010	Elbow 1 barb plastic
1407-007	Elbow 3/4 barb x 3/4 FP plastic
1413-005	Elbow 1/2 barb x 1/2 MPT plastic
1413-007	Elbow 3/4 barb x 3/4 MPT plastic

Barbed Adapters



Item	Description
1436-005	Adapter 1/2 barb x 1/2 MPT plastic
1436-101	Adapter 1/2 barb x 3/4 MPT plastic
1436-007	Adapter 3/4 barb x 3/4 MPT plastic

Female Pipe Adapters



Item	Description
435-007	Adapter 3/4 slip x 3/4 FIPT PVC

Tees



Item	Description
401-007	Tee 3/4 slip PVC

Tees Female Pipe




Item	Description
402-007	Tee (2) 3/4 slip x 3/4 FIPT PVC


Elbows Female Pipe





Item	Description
407-007	Elbow 3/4 slip x 3/4 FIPT PVC 90 deg


FITTINGS


Elbow Male Pipe	
	
Item	Description
410-007	Elbow 3/4 MIPT x 3/4 slip PVC

Union	
	
Item	Description
429-007	Union 3/4 slip PVC

Slip Elbow	
	
Item	Description
406-007	Elbow 3/4 slip PVC

Elbows Street	
	
Item	Description
409-007	Elbow street 3/4 spigot x slip PVC 90 degree
411-007	Elbow street 3/4 spigot x FIPT PVC 90 degree

Elbow Street	
	
Item	Description
417-007	Elbow 45 degree 3/4 slip PVC

Plugs	
	
Item	Description
PL-1	Plug 1/4 barb white poly
PL-38	Plug 3/8 barb white poly

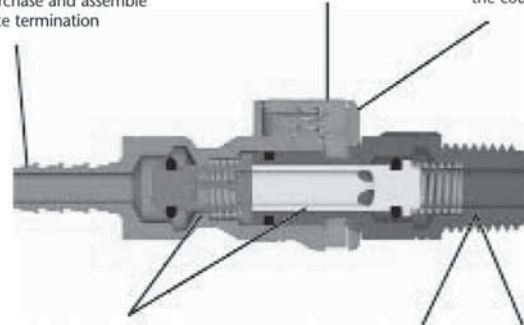
FITTINGS



Integral Terminations
eliminate a leak point and the need to purchase and assemble a separate termination

Thumb Latch
lets you make repeated, leak-free disconnects quickly and easily


Audible "Click"
assures a secure seal when the coupling is connected




Shutoff Valves
available with or without valves to automatically stop flow when disengaged

Configurations & Materials
pipe thread, panel mount, in-line, elbow, acetal, polypropylene, chrome-plated brass, aluminum, and others

Disconnect and reconnect lines, even under pressure, with the press of a thumb! Automatic shutoffs stop leaks when disconnecting.

Sockets With Shutoff	
	
Item	Description
00421-00	Socket 1/4 barb w/shutoff
00422-00	Socket 3/8 barb w/shutoff

Plugs With Shutoff	
	
Item	Description
00426-00	Plug 1/4 barb straight w/shutoff
00427-00	Plug 3/8 barb w/shutoff

FITTINGS

Syrup Tank Plugs, Sockets and Disconnects

Disconnects

Item	Description
21-1102-27	Disconnect 1/4 barb gas CC
27-1102-77	Disconnect 1/4 barb gas GB
21-1102-29	Disconnect 1/4 barb liquid CC
27-1102-99	Disconnect 1/4 barb liquid GB
21-1170-27	Disconnect 1/4 flare gas CC
27-1100-77	Disconnect 1/4 flare gas GB
21-1170-29	Disconnect 1/4 flare liquid CC
27-1100-99	Disconnect 1/4 flare liquid GB
27-1103-99	Disconnect 3/8 barb liquid GB



21-1102-27, 21-1170-29



27-1102-99, 27-1100-99

Plugs

Item	Description
2KLF720	Plug 1/4 flare liquid SS
2KGF16	Plug 1/4 FPT gas GB SS
2KLF16	Plug 1/4 FPT liquid GB SS
2KGF15	Plug 1/4 MPT gas GB SS
2KLF15	Plug 1/4 MPT liquid GB SS
2KLF	Plug 5/8 liquid GB SS
2KGF	Plug 9/16 gas SS
PE2KGF1501	Plug end for 2KGF15 Plug 1/4 MPT gas
VA2KGLFA	Plug valve assembly for 2KGF 2KLF
PVA3723F	Plug valve assembly for P Series plug



VA2KGLFA



2KGF15, 2KLF15

FITTINGS

Sockets

Item	Description
2HGRB	Socket 1/4 barb 90 degree gas GB SS
2HLRB	Socket 1/4 barb 90 degree liquid GB SS
2HGLLRA720	Socket 1/4 flare 90 degree gas SS
2HLLRA720	Socket 1/4 flare 90 degree liquid SS
2HG16	Socket 1/4 FPT gas SS
2HL16	Socket 1/4 FPT liquid SS
2HG15	Socket 1/4 MPT gas SS
2HL15	Socket 1/4 MPT liquid SS
2HILLRA720	Socket 2HKIL sers 7/16-20 male
2HLDNB	Socket 3/8 barb liquid SS



2HG15, 2HL16, 2HLRB

Parts

Item	Description
W2HGL1	Washer socket rubber



2HGLLRA720, 2HGRB

CPC is a registered trademark of Colder Products Company, St. Paul, Minnesota
 John Guest is a registered trademark of John Guest International Limited, Fairfield, New Jersey



16-1516 Dual Surge Tank



16-2171

McCann's water boosters have stainless steel tanks and fittings, pre-charged bladders, check valve, relief valve, and brass rotary vane pump. Flow rates up to 100 gallons / hr.

McCann's Water Boosters

Item	Description	PSI	Size
16-1516	Water booster dual surge tank 2 wide McCann's	80-100	28"W x 23.75"D x 18.5"H
16-1517-01	Water booster dual surge tank 3 wide w/manifold McCann's	80-100	40"W x 23.75"D x 18.5"H
16-2173	Water Booster 115v 4.4 gallon McCann's	80-100	18"W x 17.5"D x 12" H
16-2171	Water booster 115v 2 gallon McCann's	80-100	14.5"W x 14"D x 9.5"H
16-3172-3/8	Water booster w/electric pump 2 gallon 3/8 McCann's	80-100	12"W x 15.6"D x 9"H
16-3172-1/2	Water booster w/electric pump 2 gallon 1/2 McCann's	80-100	12"W x 15.6"D x 9"H

Accumulator Tank

Model	Description
181-201	SHURflo accumulator



21 ounce tank provides consistent water pressure, reduces pump cycling, and minimizes noise. 125 PSI, 1/2" NPT female.

Reverse Flow Inhibitor

Model	Description
84-010-00	Reverse flow inhibitor w/fittings

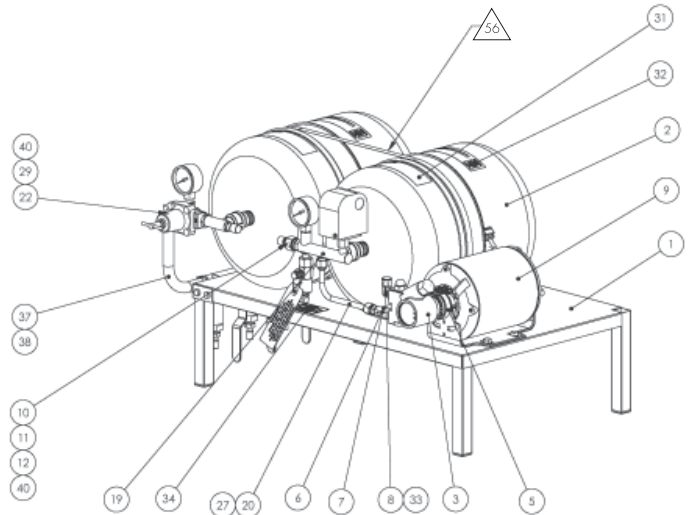
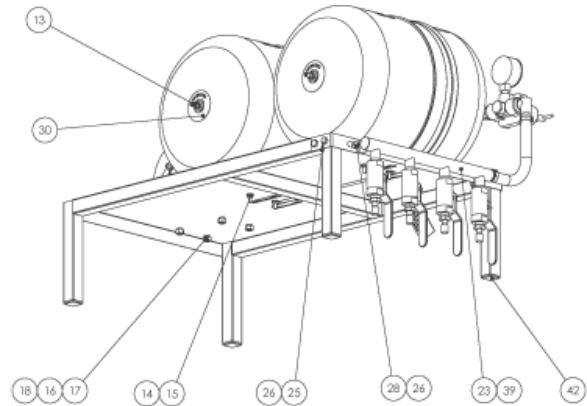
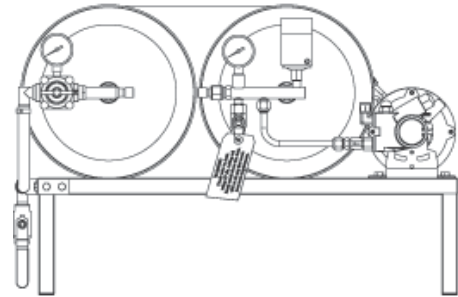


Strongly recommended for brix pump installations. 100 PSI, 3/8" barb.

WATER SYSTEMS

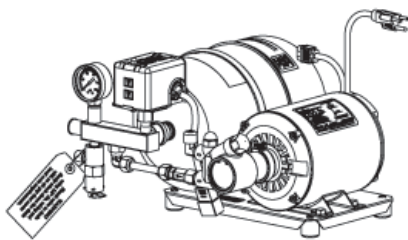
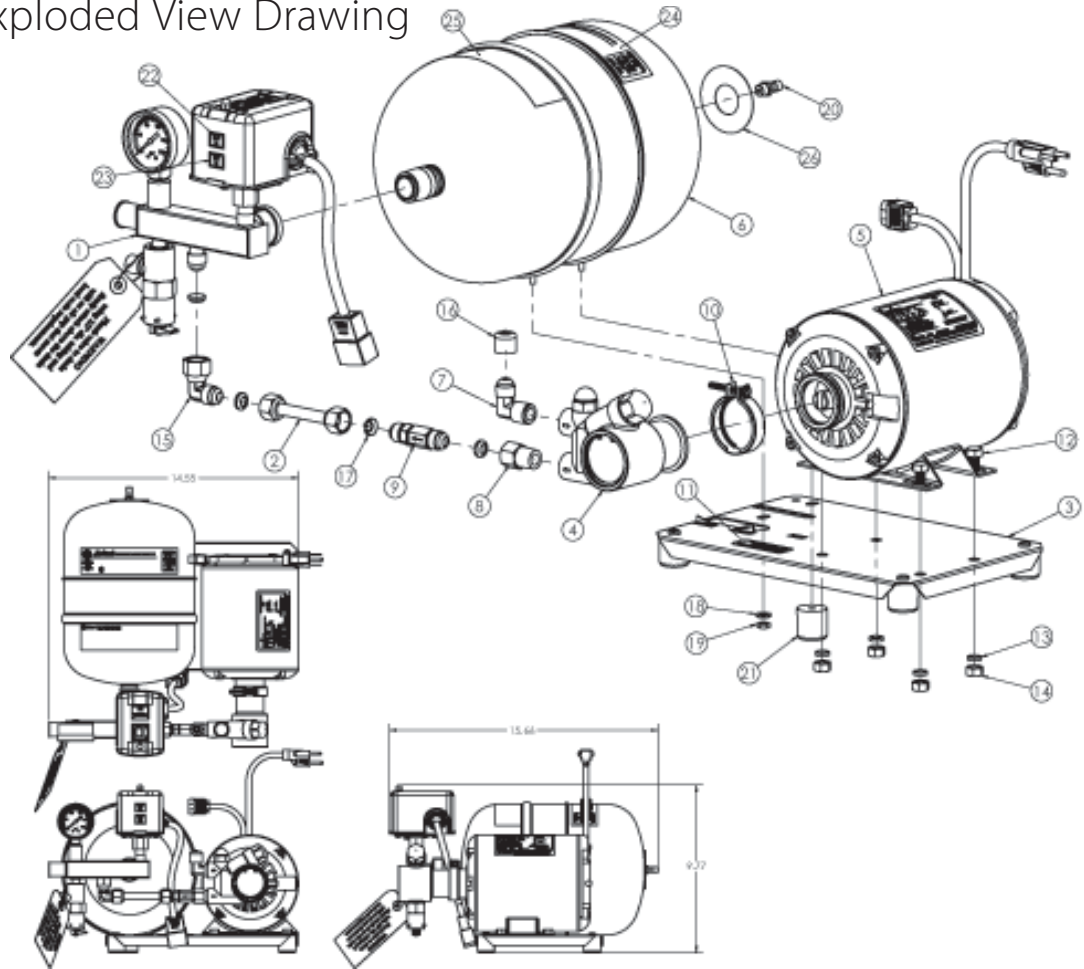
16-1516 Exploded View Drawing

ITEM NO.	QTY	PART NO.	DESCRIPTION
1	1	15-2376	ASSY SHELF SURGE TANK 2 WIDE
2	2	15-2011-43	ASSY WATER BOOSTER TANK WELD COMPLETE 4.4 GAL
3	1	16-0148	PUMP BRASS ROTARY VANE 100 GPH
4	1	00-1222	CLAMP PUMP TO MOTOR MOUNTING PROCON
5	1	19-0671-01	FITTING 3/8 FF X 3/8 NPT NICKEL PLATED
9	1	10-1649	MOTOR 115 VOLT 1/3 HP WELDED BASE 8 FT HARNESS
10	1	19-0708	NUT SWIVEL 3/4-16 1/2 FEMALE FLARE PLATED
11	1	19-0707	FITTING 1/2 BARB X 1/2 FEMALE FLARE
12	1	10-1676	GASKET FLARE 1/2 SAE
13	2	10-1658	FITTING NICKEL PLATED BRASS TANK VALVE
14	4	10-0257	WASHER, LOCK, 1/4", SPLIT, SS
15	4	00-0424	NUT(*)HEX 10-32 ZINC PLATED
16	4	10-0258	WASHER(*)LOCK #5/16 SPLIT ZINC PLATE
17	4	10-0555	BOLT(*)5/16 X 5/8 HEX HEAD ZINC-PLATED
18	4	00-1077	NUT(*)HEX 5/16-18 ZINC PLATED
20	1	15-1965	ASSY WATER BOOSTER WATER INLET SS 4.4 GAL CAPACITY
22	1	15-2380	ASSY WATER BOOSTER SURGE TANK REGULATOR & FITTING
25	1	10-1842	BOLT 1/4-20 X 1 1/2 HEX HEAD ZINC PLATED
27	3	19-0268	GASKET(*)FLARE 3/8 SAE
29	2	10-0010	O-RING EP .487 X .103 SOURCE CONTROL SEE NOTE CODE
30	2	18-1414	LABEL WATER BOOSTER SS TANK VALVE "WARNING"
31	2	18-1412	LABEL WATER BOOSTER SS "WARNING"
32	2	18-1418	LABEL WATER BOOSTER PRESSURE SYSTEM CHARGE TK ONLY
34	1	18-1427	LABEL PART/SERIAL NUMBER SURGE TANK 16-1516
41	1	02-9301	STRIPPING 2 X 3/8 SANTOPRENE 171-55
43	1	19-0601-01	CHECK VALVE IN-LINE SINGLE 3/8 MF SS
44	1	19-0594-01	FITTING 3/8 MF X 3/8 MNPT ELBOW NICKEL PLATED
45	1	15-1966	WATER BOOSTER MANIFOLD ASSY
	2	10-1908	PLUG CAP BPF-1/4 BLACK
	3	10-1917	PLUG CAP VC531-8 BLACK VINYL
	1	10-2006	PLUG CAP VC-600-8 BLACK VINYL
	6	01-1853	PLUG FLEX RACK 1 IN BLACK
	1	10-1805	NUT HEX 1/4-20 SS W/ELASTIC STOP
56	1	14-4949	BRACKET SURGE TANK SUPPORT
	1	16-1596	KIT CONNECTORS (4 PER)
67	1	17-5155	INSTRUCTION INSTALLATION SURGE TANK
68	1	18-1075	DECAL INSPECTION STICKER(11 THRU 25)
69	1	18-1368	DECAL TEST STICKER
70	2	07-0343	CARTON INSERT FOR 07-0224 & 07-0225 SIDE
71	1	07-0342	CARTON INSERT FOR 07-0224 & 07-0225 BOTTOM
72	2	07-0237	CARTON FRONT & BACK CENTERS 19 1/2 X 11 1/2 TRI-FO
73	2	07-0229	CARTON INSERT LEG PAD 8 X 24
74	1	07-0224	CARTON WATER BOOSTER & SURGE TANK 2 WIDE
75	1	10-1651	ADHESIVE LOCTITE 565



WATER SYSTEMS

16-2171 Exploded View Drawing



ITEM NO.	QTY	PART NO.	DESCRIPTION
1	1	15-1966	WATER BOOSTER MANIFOLD ASSY
2	1	15-1991	ASSY WATER BOOSTER WATER INLET SMALL
3	1	15-2007-03	ASSY WATER BOOSTER BASE & FEET SMALL 3 FEET
4	1	16-0148	PUMP BRASS ROTARY VANE 100 GPH
5	1	10-1649	MOTOR 115 VOLT 1/3 HP WELDED BASE 8 FT HARNESS
6	1	15-2010	ASSY WATER BOOSTER TANK WELD COMPLETE 2.0 GAL
7	1	19-0594-01	FITTING 3/8 MF X 3/8 MNPT ELBOW NICKEL PLATED
8	1	19-0671-01	FITTING 3/8 FF X 3/8 NPT NICKEL PLATED
9	1	19-0601-01	CHECK VALVE IN-LINE SINGLE 3/8 MF SS
10	1	00-1222	CLAMP PUMP TO MOTOR MOUNTING PROCON
11	1	18-1385	LABEL WATER BOOSTER PART NUMBER 115 V SS(16-2171)
12	4	10-0555	BOLT(*)5/16 X 5/8 HEX HEAD ZINC-PLATED
13	4	10-0258	WASHER(*)LOCK #5/16 SPLIT ZINC PLATE
14	4	00-1077	NUT(*)HEX 5/16-18 ZINC PLATED
15	1	19-0672	FITTING 3/8 MF X 3/8 FF 90 SWIVEL ELBOW BRASS
16	1	10-2006	PLUG CAP VC-600-8 BLACK VINYL
17	4	19-0268	GASKET(*)FLARE 3/8 SAE
18	1	10-0257	WASHER, LOCK, 1/4", SPLIT, SS
19	1	00-0424	NUT(*)HEX 10-32 ZINC PLATED
20	1	10-1658	FITTING NICKEL PLATED BRASS TANK VALVE
21	1	00-1217	FOOT CARBONATOR TANKS & BASES
22	1	18-1075	DECAL INSPECTION STICKER(11 THRU 25)
23	1	18-1368	DECAL TEST STICKER
24	1	18-1402	LABEL WATER BOOSTER PRESSURE SYSTEM CHARGE SETTING
25	1	18-1412	LABEL WATER BOOSTER SS "WARNING"
26	1	18-1414	LABEL WATER BOOSTER SS TANK VALVE "WARNING"
27	A/R	10-1651	ADHESIVE LOCTITE 565

In the interest of continued product improvement, we reserve the right to change specifications without notice
3178G Multiplex Beverage 2022

Toll Free: 1.844.724.2273

www.multiplexbeverage.com



WATER SYSTEMS



Low, fluctuating or no water pressure can impact drink quality. Water boost systems maintain consistent water pressure to non-carbonated dispensing valves ensuring consistent drink quality.

SHURflo Water Booster Pumps and Systems

Item	Description
WB2-HYD	SHURflo 2 gallon water boost systems universal chassis
MOD-2UWBS	SHURflo dual cartridge universal modular filter assembly
WB6-M3-22-001-SS	Water booster filter system 6 gallon SHURflo SS
WB2-LVPO-01	Low VPO Water Booster Filter System 2 Gallon SHURflo



WB2-HYD



MOD-2UWBS



94-693-00



94-694-00

Parts and Accessories

Item	Description
94-692-00	Fitting kit (filter heads) water boost filter system SHURflo
94-693-00	Valve flush water boost filter system SHURflo
94-694-00	Pressure gauge water boost filter system SHURflo
94-695-00	Filter head water boost filter system SHURflo
94-698-10	Plug bypass water boost filter system SHURflo



94-698-10



94-695-00



94-692-00

In the interest of continued product improvement, we reserve the right to change specifications without notice
3178G Multiplex Beverage 2022

Toll Free: 1.844.724.2273

www.multiplexbeverage.com



WATER SYSTEMS

SHURflo Water Boosters



Item	Description
804-002	System water booster 115v 90 PSI 3/8 port 21 oz w/cord SHURflo
804-023	System water booster 115v 90 PSI 3/8 port 2 gallon w/cord SHURflo
804-026	System water booster 115v 90 PSI 1/2 port 6 gallon w/cord SHURflo
804-037	System water booster 115v 90 PSI 3/8 port 6 gallon w/cord SHURflo



804-002



804-023

SHURflo Water Booster Pumps

Item	Description
2088-594-144	Pump electric 115v 45 PSI 1/2 port w/cord SHURflo
8005-233-236	Pump electric 115v 60 PSI SHURflo
8025-213-236	Pump water booster 115v 60 PSI 3/8 port SHURflo
8025-933-399	Pump water booster replacement 115v 90 PSI 3/8 port SHURflo
8095-902-260	Pump water booster carbonation 230v 100 PSI bypass 3/8 port SHURflo



2088-594



8005-233-236



8025-933-399

In the interest of continued product improvement, we reserve the right to change specifications without notice
3178G Multiplex Beverage 2022

Toll Free: 1.844.724.2273

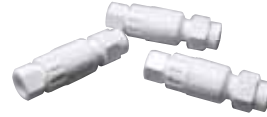
www.multiplexbeverage.com



WATER SYSTEMS

Inline Water Pressure Regulators

Item	Description
1750-302C	Regulator water 1/2 NPT x 3/8 OD barb 50 PSI Flojet



Removable, cleanable screen protect pumps, ice makers, drink valves and other beverage appliances from debris and excessive inlet water pressure. Handles water temperature up to 150° F (66° C) and can be mounted in any position.



Water Regulators

Item	Description	PSI
1752-402C	Water regulator 50 PSI 3/8 SS barb fitting	50 PSI
183-150-SS	Water regulator 50 PSI 3/8 SS fitting SHURflo	50 PSI
263A 1/2"	Water regulator 1/2 inch Watts	125 PSI
26A 3/8"	Water regulator 3/8 FPT in/out	175 PSI
P60-WATTS	Water regulator 0-125 PSI 1/4 inch	125 PSI
263A-FG	Watts water reg w/fitting & gauge	125 PSI

Water Filtration Systems and Cartridges

Fountain beverages are 83% water, so water quality is essential to serving quality drinks. Water filtration reduces chlorine taste and odor, improper carbonation, off-taste, odor, and harmful cysts (pathogens), plus reduces sediment, abrasion, clogs, down-time, unscheduled service calls and equipment costs. Keep your customers satisfied, your equipment in better condition, and increase your profits with a filtration system.



5558
8-02



5560
2-01



55600-01



55593-04



55602-01



55817-05
55854-01



55817-08

3M's unibody manifold provides parallel flow for higher flow rates, minimizes leaks, and is corrosion resistant. Built-in valve in head (VIH) eliminates the need for alternative shutoff valves, and encapsulated filter reduces the possibility of contamination during change-out. The locking button assures correct installation and prevents accidental removal.

The smaller the micron size, the smaller the holes that the water passes through during filtration. (1 micron is 1/25,000 of an inch. A human hair is about 100 microns in diameter). Cyst filters provide added protection from pathogens such as protozoan cysts.

Item	Description	Micron Rating	Peak Flow Rate	Capacity
55819-06	System water filter CFS8576S w/CFS8112S	1	1.5 GPM	10,000 gal / 37,854 L
55588-02	System water filter CFS11 w/CFS110	5	N/A	N/A
55593-04	Filter water CFS117 taste odor	5	N/A	10,000 gal / 37,854 L
55600-01	Cartridge replacement CFS517	5	1.3 GPM	3,500 gal / 13,249 L
55602-01	Filter water CFS717 inline taste odor scale	5	.5 GPM	1,500 gal / 5,678 L
55817-05	Cartridge replacement CFS8112 taste odor	1	N/A	10,000 gal / 37,854 L
55817-08	Cartridge replacement CFS8112S taste odor w/ scale inhibitor	1	1.5 GPM	10,000 gal / 37,854 L
55854-01	Cartridge replacement CFS8000-S scale inhibitor	N/A	N/A	N/A
55893-03	Cartridge replacement CFS8720 problem	5	1.5 GPM	4,800 gal / 18,170 L

WATER SYSTEMS

Everpure Filters

Item	Description	Micron	Rated Capacity	Max. Flow Rate
9795-80	Filter water E10 prefilter Everpure	10	Varies	6.0 GPM
9534-01	Cartridge replacement EC110 Everpure	10	Varies	5.0 GPM
9534-26	Cartridge replacement EC210	10	Varies	10.0 GPM
9612-56	Cartridge replacement MC2 Everpure	.5	9,000 gal / 34,200 L	1.67 GPM
9612-21	Cartridge replacement Insurice 2000 Everpure	.5	9,000 gal / 34,065 L	1.67 GPM

SHURflo Water Filters

Item	Description
94-729-00	Inline water filter taste & odor SHURflo
SF210-TO-FLR	Inline water filter 2.5 gpm SHURflo
122TO5	Cartridge replacement C245 22 inch SHURflo
LVPO-F1	Cartridge replacement (94-399-00) for WB2-LVPO-01



Top: 94-729-00
Bottom: LVPO-F1

Water Filtration Parts and Accessories

Item	Description
QL3B-KT	Head QC7 w/o gauge Everpure
55777-05	Bottle water sample
38Q-FEMALE	QD for water filter



QL3B-KT

*Flojet is a registered trademark of ITT Industries, Foothill Ranch, California; SHURflo is a registered trademark of SHURflo LLC, Cypress, California
McCann's is a registered trademark of McCann's Engineering & Manufacturing, a Manitowoc Company, Los Angeles, California
Cuno is a registered trademark of Cuno, Inc., a 3M Company, St. Paul, Minnesota; Everpure is a registered trademark of Everpure, LLC, Hanover Park, Illinois*

In the interest of continued product improvement, we reserve the right to change specifications without notice
3178G Multiplex Beverage 2022

Toll Free: 1.844.724.2273

www.multiplexbeverage.com



VALVES

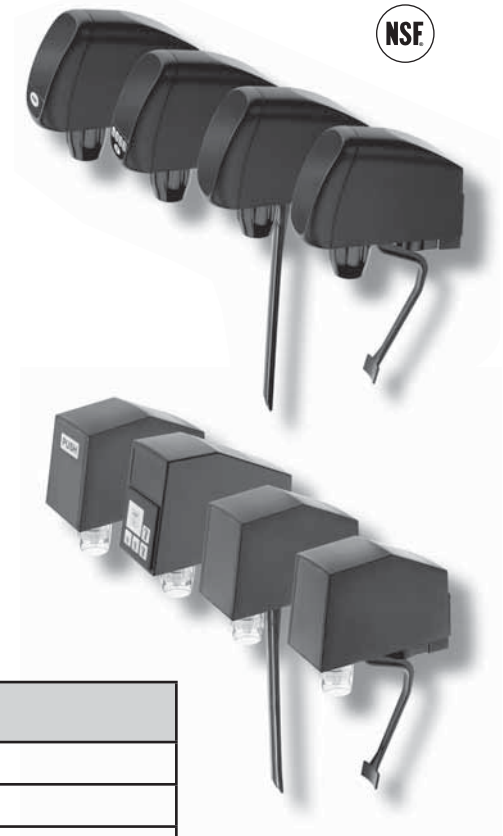
Flomatic Post-mix Valves

464-GP High Flow Valve

The 464-GP has been upgraded to a powerful 24-volt AC solenoid, and has an improved solenoid plunger and torsional pallet spring. Valve design provides superior carbonation levels on both cold carb and ambient systems. Ceramic flow controls maintain consistent ratio control, eliminating frequent adjustments. The 464 valve features solid mounting platform, modular design, convertible switch, and quiet solenoid operation. Flow range from 2 to 4 oz./sec. High flow diffusion system reduces foam. Push button, portion control, automatic fill lever, and sanitary push lever models available.

424 Valve

Reliable, easy to maintain, and provides long-life performance. The 424 valve features ceramic flow controls, soft pour diffusion, modular design and quiet solenoid operation. Flow range from 1-1/2 to 3 oz./sec. Push button, portion control, automatic fill lever, and sanitary push lever models available.

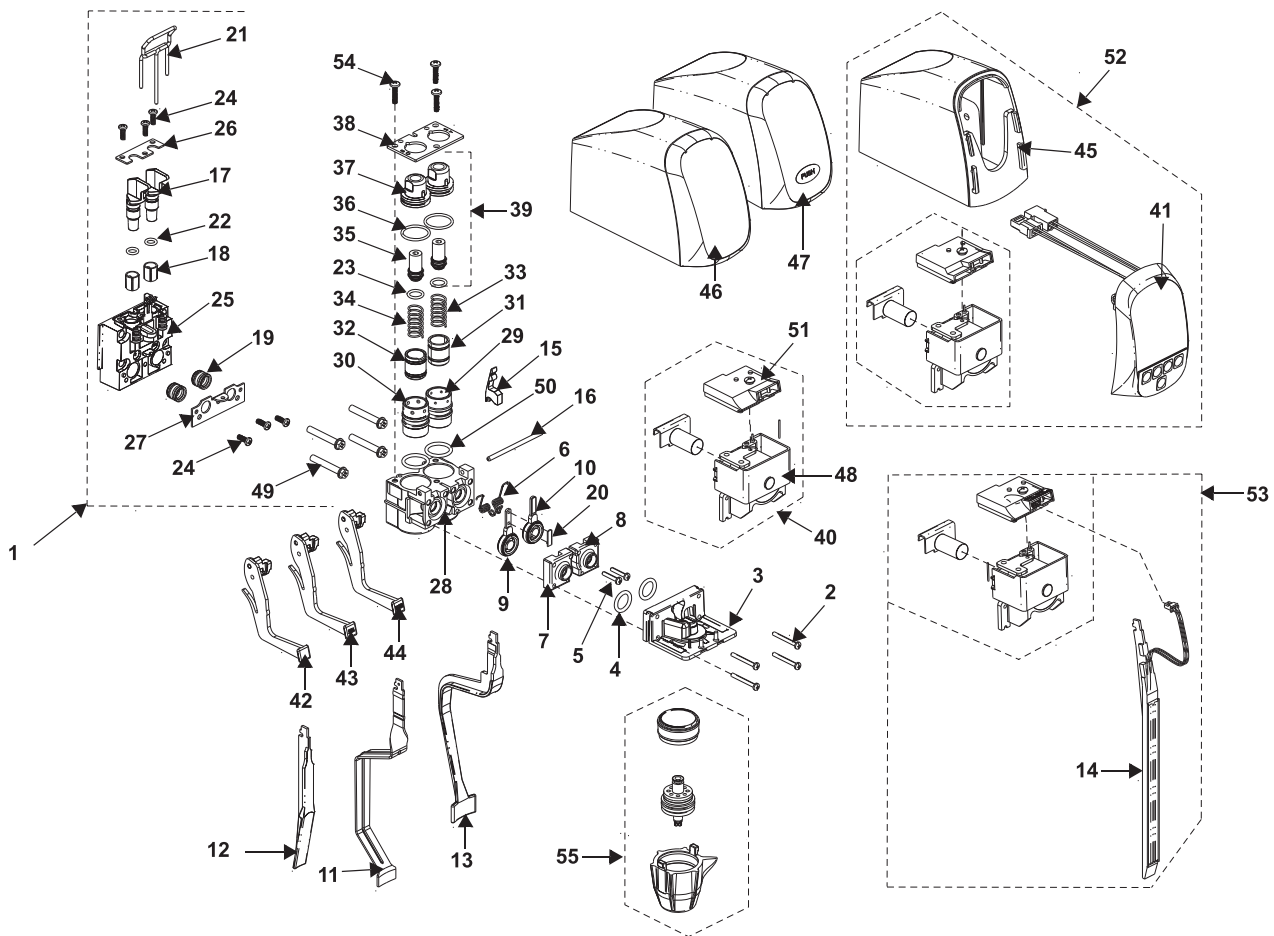


Our most popular models

Item	Description
464-GP-A36-1621	VLV auto fill sngl AC
464-GP-E36-1621	VLV molded plastic sanitary lever sngl AC
464-GP-P36-1600	VLV portion control sngl AC
464-GP-S36-1625	VLV push button sngl AC
464-GP-SL36-1621	VLV stainless steel sanitary lever sngl AC
424-612-M4-1521-J	VLV mech self serve juice
424-CF-1521	VLV mech molded plastic sanitary lever
424-CF-A36-1521	VLV auto fill sngl
424-CF-D25-1101-CFCS	VLV dual ctrl
424-CF-E36-1521-WJ	VLV molded plastic sanitary lever sngl juice
424-CF-E36-1521	VLV sanitary lever sngl yoke ac w/ molded yoke plunger
424-CF-L-1521	VLV push lever mech
424-CF-L36-1521	VLV push lever sngl
424-CF-S36-1525	VLV push button sngl yoke ac w/ molded yoke plunger
424-CF-S36-1525-WJ	VLV push button sngl juice
424-CF-SL36-1521	VLV SS lever sngl yoke ac w/ molded yoke plunger
424-CF-SL36-1521-WJ	VLV stainless steel sanitary lever sngl juice

VALVE

Flomatic 464-GP Post-mix Valve Exploded View Drawing



DESCRIPTION	PART NO.	DESCRIPTION	PART NO.	DESCRIPTION	PART NO.
1 MTG Block 0.380	380-Q	23 O-ring (012)	551	41 464 PC Cover	835-01
2 Screw 4-40 X 1	505	24 Screw #6 X 3/8	553-00	42 464 Add a Lever	1028
3 Diffuser Block 464 Insert	507-36-G	25 380Q Body	562-80	43 Add a Lever (Soda)	1028-S
4 O-ring (.112)	509	26 Shutoff Retainer Plug	567	44 Add a Lever (Water)	1028-W
5 Screw - 4-40x5/8	510	27 Quad Stem Seal Retainer	568	45 Base Cover	1601
6 Spring Coil Pallet Retainer	511-04	28 Flow Control Base 464 #8	600-47-G	46 Front PL Cover	1602
7 Orifice Cap GP Lft Blk	512-02-G	29 Cylinder	602-02	47 Front Push Button GP Cover	1610
8 Orifice Cap GP Rt Blk	513-02-G	30 Cylinder - HF	602-03	48 Solenoid Assembly	9774-1
9 Pallet Highflow	515-02	31 Syrup Piston	603-02	49 Self Tap Screw 10-24X1-1/4	5011953
10 Pallet Bearing Pad Set	515-30	32 Soda Pistion - GP	604-04-G	50 O-ring Sleeve	5028273
11 Sanitary Lever SS (SSL)	516-06	33 Flow Ctrl 7 Coil Spring	605-01	51 Switch	
12 Plastic Lever Black	516-07	34 Flow Ctrl Coil Spring - HF	605-02	a. Autofil Switch	5030421
13 Sanitary Lever Molded	516-09	35 Flow Rate Adj Screw	607	b. Manual Switch	5030419
14 Lever Sensor	516-10	36 O-ring (017)	608	c. Portion Control	5030418
15 Elec Lever Retainer LG	517-05	37 Flow Rate Adj Nut	609-02	52 Kit AC PCTRL Conv	5031015
16 Pivot Pin Long	524-02	38 Retainer Plate 6-32	610-04	53 Kit AC Autofil Conv	5031018
17 Shutoff Plug	526	39 Flow Rate Adj Set 464GP	643-00	54 Screw #8X5/8 PH HI LO 18-8	.020001284
18 Shutoff Seal	527	40 AC Solenoid with Switch		55 464 GEN II Nozzle Asm	.020001750
19 Quad Seal Vlv Stem	528	a. Autofil	774-A36		
20 Pallet Bearing	530	b. Manual	774-E36		
21 Latch Pin	538-04	c. Portion Control	774-P36		
22 O-ring (010)	543				

In the interest of continued product improvement, we reserve the right to change specifications without notice
3178G Multiplex Beverage 2022

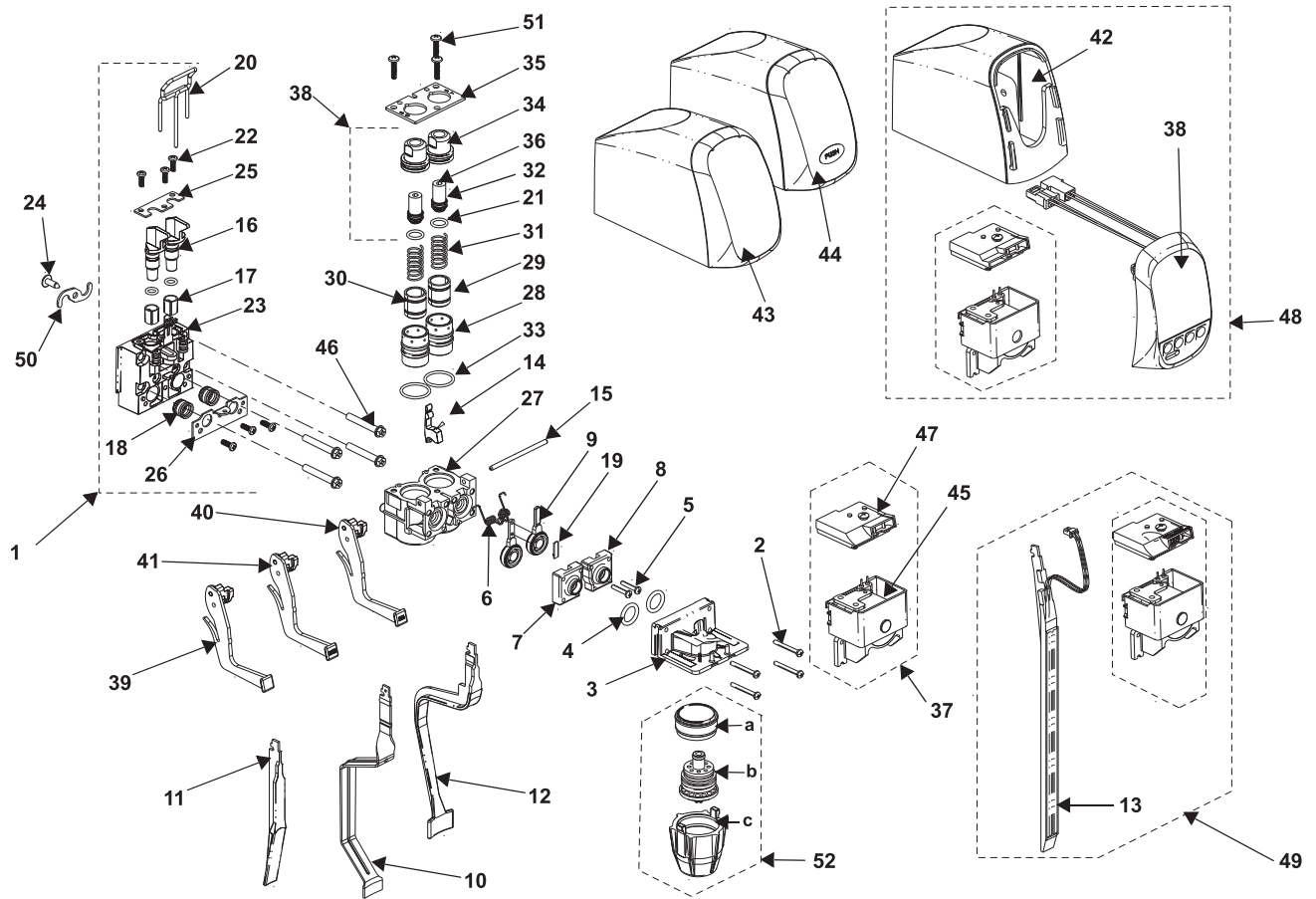
Toll Free: 1.844.724.2273

www.multiplexbeverage.com



VALVE

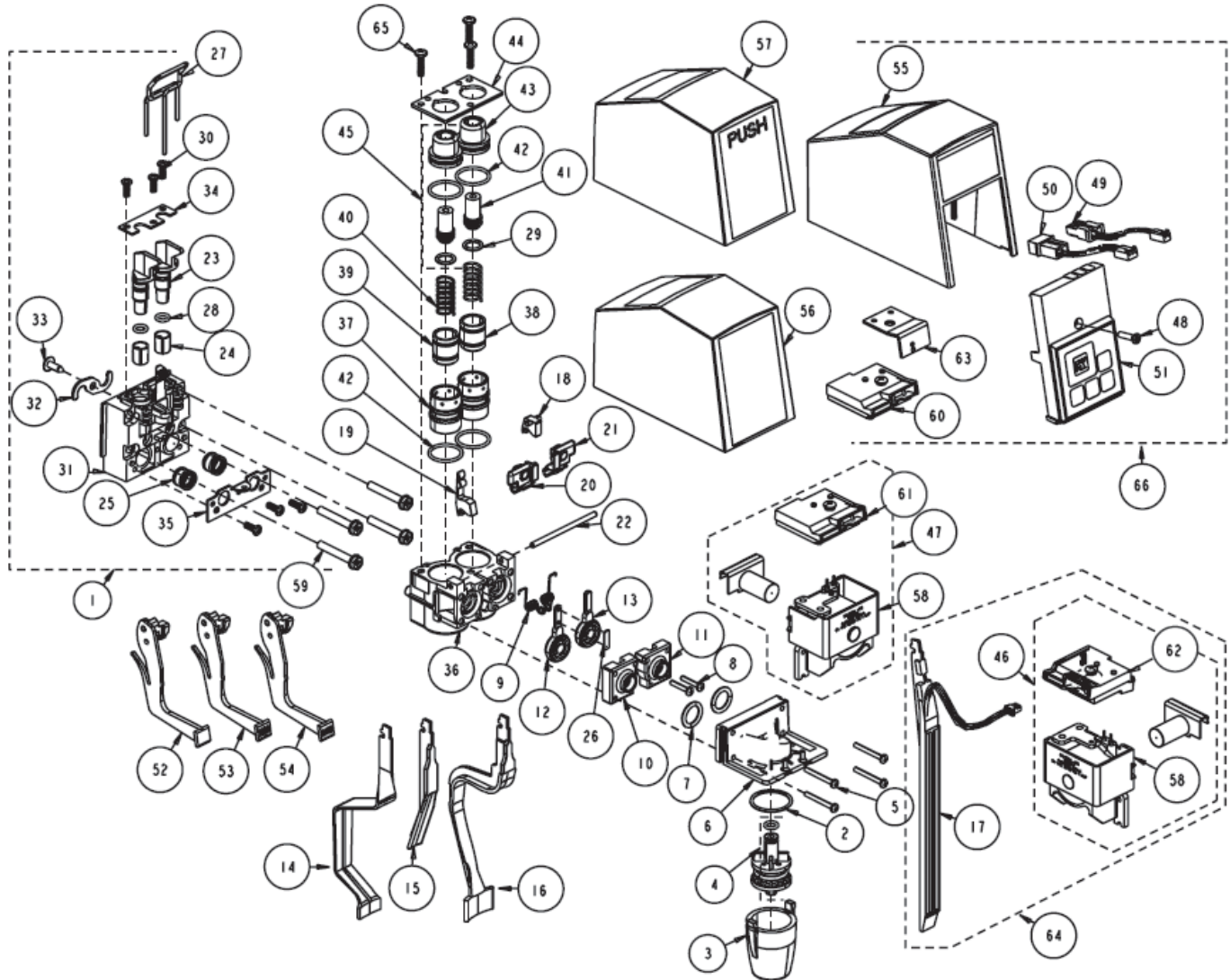
Flomatic 424-GP Post-mix Valve Exploded View Drawing



DESCRIPTION	PART NO.	DESCRIPTION	PART NO.	DESCRIPTION	PART NO.
1 M7G Block 0.380	380-Q	23 380Q Body	562-80	41 Add a Lever (Water)	1028-W
2 Screw 4-40 X 1	505	24 Screw 8 X1/2	565	42 Base Cover	1601
3 Diffuser Block 424 Inst	504-26-B	25 Shutoff Retainer Plug	567	43 Front PL Cover	1602
4 O-ring (.112)	509	26 Quad Stem Seal Retainer	568	44 Front Push Button GP Cover	1610
5 Screw - 4-40x5/8	510	27 Flow Control Base 424 #8	600-07-B	45 Solenoid Assembly	9774-1
6 Spring Coil Pallet Retainer	511-04	28 Cylinder	602-02	46 Self Tap Screw 10-24X1-1/4	5011953
7 Orifice cap - left	512-01-B	29 Syrup Piston	603-02	47 Switch	
8 Orifice cap - right	513-01-B	30 Soda Piston	604-02	a. Autofil Switch	5030421
9 Pallet Bearing Pad Set	515-30	31 Flow Control 7 Coil Spring	605-01	b. Manual Switch	5030419
10 Sanitary Lever SS (SSL)	516-06	32 Flow Rate Adj Screw	607	c. Portion Control	5030418
11 Plastic Lever Black	516-07	33 O-ring (.017)	608	48 Portion Ctrl AC Convn Kit	5031015
12 Sanitary Lever Molded	516-09	34 Flow Rate Adj Nut	609	49 Autofil AC Convn Kit	5031018
13 Lever Sensor	516-10	35 Retainer Plate 6-32	610-04	50 S-Clip	5031205
14 Elec Lever Retainer LG	517-05	36 Flow Rate Adj Set	642-00	51 Screw #8X5/8 PH HI LO 18-8	.020001284
15 Pivot Pin Long	524-02	37 AC Solenoid with Switch		52 464 GEN II Nozzle Asm	020001750
16 Shutoff Plug	526	a. Autofil	774-A36	a. Seal Ring	N/A
17 Shutoff Seal	527	b. Manual	774-E36	b. Diffuser Replacement Insert	N/A
18 Quad Seal Viv Stem	528	c. Portion Control	774-P36	c. Replacement Nozzel	N/A
19 Pallet Bearing	530	38 464 PC Cover	835-01		
20 Latch Pin	538-04	39 464 Add a Lever	1028		
21 O-ring (.012)	551	40 Add a Lever (Soda	1028-S		
22 Screw #6 X 3/8	553-00				

VALVE

Flomatic 424 Post-mix Valve Exploded View Drawing



NO Part# Description

1	5007842	MTG BLOCK 0.380
2	500	ORING 021
3	501-24	NOZZLE SOFTPOUR CLR
4	504-10	DIFFUSER INSERT SET
5	505	SCREW 4-40X1
6	507-26-B	DIFFUSER BLOCK 424 INSERT
7	509	ORING 112
8	510	SCREW 4-40X5/8
9	511-04	SPRING COIL PALLET RETAINER
10	512-01-B	ORIFICE CAP LFT BLK
11	513-01-B	ORIFICE CAP RT BLK
12	515	PALLET
13	515-24	PALLET BEARING PAD SET
14	516-06	LEVER SANITARY SS (SSL)
15	516-07	EURO LEVER PL BLK
16	516-09	LEVER SANITARY MOLDED
17	516-10	AUTOFILL LEVER SENSOR
18	517-00	LEVER RETAINER MECH
19	517-05	LEVER RETAINER ELEC LG
20	521-01	ACCTUATOR ASSY LEFT
21	522-01	ACCTUATOR ASSY RIGHT
22	524-02	PIVOT PIN LONG
23	526	SHUTOFF PLUG
24	527	SEAL SHUTOFF

NO Part# Description

25	528	SEAL QUAD VLV STEM
26	530	BEARING PALLET
27	538-04	LATCH PIN
28	543	O-RING (010)
29	N/A	ORING 012
30	553-00	SCREW #6 X 3/8
31	562-80	BODY 380Q
32	5031205	S-CLIP
33	565	SCREW 8X1/2
34	567	RETAINER SHUTOFF PLUG
35	568	RETAINER QUAD STEM SEAL
36	600-07-B	FLOW CTRL BASE 424 # 8
37	602-02	CYLINDER
38	603-02	PISTON SYR
39	604-02	PISTON SODA
40	605-01	SPRING FLOW CTRL 7 COIL
41	N/A	SCR FLOW RATE ADJ M
42	N/A	ORING 017
43	N/A	NUT FLOW RATE ADJ
44	610-04	RETAINER PLATE 6-32
45	642-00	FLOW RATE ADJ SET
46	774-A36	SOL AUTOFIL SNGL AC
47	774-E36	SOL MSL SNGL YOKE AC
48	805	SCREW 6-32X5/8

NO Part# Description

49	817-02	HARNES P32 PCM LEAD
50	817-03	HARNES PCM POWER
51	832-01	PCM 4 CUP P32
52	1028	ADD-A-LEVER 464
53	1028-S	ADD-A-LEVER 464 SO
54	1028-W	ADD-A-LEVER 464 WTR
55	1500	COVER PC 400 SERIES
56	1521	COVER PL
57	1525	COVER PB LIVING HINGE
58	9774-1	SOLENOID ASSEMBLY
59	5011953	SCR 10-24X1-1/4 SELF TAP
60	5030418	SWITCH, PCTRL
61	5030419	SWITCH, MSL
62	5030421	SWITCH, AUTOFILL
63	5030891	BRKT PCTRL AC
64	5031018	KIT AC AUTOFILL CONV
65	020001284	SCR #8 X 5/8 PH HI-LO 18-8
66	5031026	KIT CONV MECH TO PC SNGL

Complete Valve Assemblies

NA	424-CF-E36-1521	PUSH LEVER
NA	424-CF-S36-1525	PUSH BUTTON
NA	424-CF-P36-1500	PORTION CONTROL
NA	424-CF-A36-1521	AUTOFILL

In the interest of continued product improvement, we reserve the right to change specifications without notice
3178G Multiplex Beverage 2022

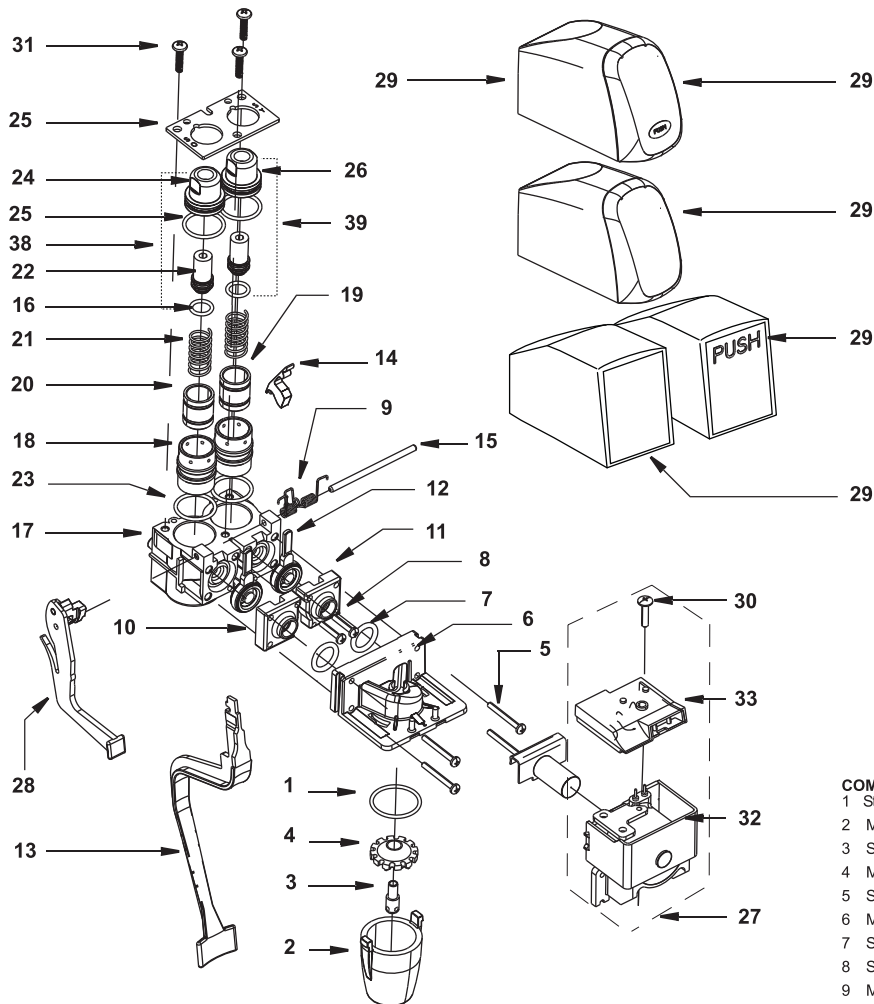
Toll Free: 1.844.724.2273

www.multiplexbeverage.com



VALVE

Flomatic 424 Post-mix Juice Valve Exploded View Drawing



COMPLETE VALVE ASSEMBLIES

1	Standard Sanitary Lever.....	424-CF-E36-1521-WJ
2	Modified Sanitary Lever.....	424-CF-E36-1521-WI
3	Standard Sanitary Lever w/GP Cover ..	424-CF-E36-121-WJ
4	Modified Sanitary Lever w/GP Cover ..	424-CF-E36-121-WI
5	Standard Push Button	424-CF-S36-1525-WJ
6	Modified Push Button	424-CF-S36-1525-WI
7	Standard Push Button w/GP Cover ..	424-CF-S36-1625-WJ
8	Standard Portion control	424-CF-P36-1500-WJ
9	Modified Portion control.....	424-CF-P36-1500-WI

DESCRIPTION	PART NO.	DESCRIPTION	PART NO.	DESCRIPTION	PART NO
1 O-ring 0.112	500	14 Lever Retainer		31 Screw #8 x 5/8	020001284
2 Nozzle		a. Manual retainer.....	517-00	32 AC Solenoid.....	9774-1
a. Clear, twist-off	501-14	b. Electric retainer.....	517-05	33 MSL Switch	
b. Black, twist-off	501-15	15 Pivot pin	524-02	a. Manual.....	5030419
3 Diffuser - syrup.....	502-02	16 O-ring 0.012	551	b. Portion Control	5030418
4 Diffuser - soda	504-00	17 Flow control base 424 #8 ..	600-07-B	34 Cover - PB living hinge	1525
5 Screw 4-40x1	505	18 Cylinder - ceramic.....	602-02	35 GP Push Lever Cover	1602
6 Diffuser Block 424 Insert	507-26-B	19 Piston - syrup	603-02	36 GP Cover Base	1601
7 O-ring 0.112	509	20 Piston - soda	604-02	37 GP Push Button Front Cover..	1610
8 Screw - 4-40x5/8	510	21 Spring Flow Control 7 Coil ..	605-01	38 Brix adjustment assembly .	
9 Coil Spring pallet retainer....	511-04	22 Flow Rate Adjustment Screw	607	a. O-ring (0.012)	551
10 Orifice cap GP - left	512-02-G	23 O-ring (0.017).....	608	b. Flow Rate Adjustment Screw	607
11 Orifice cap GP - right	513-02-G	24 Flow Rate Adjustment Nut ..	609	c. O-ring (0.017)	608
12 Pallet Bearing Pad		25 Retainer plate (14GA).....	610-04	d. Flow Rate Adjustment Nut	609
a. Set.....	515-24	26 Flow Rate Adjustment Set ..	642-00	39 Metering assembly	
b. Pallet.....	515	27 AC Solenoid with Switch....	774-E36	a. O-ring (0.012)	551
13 Lever molded sanitary	516-09	28 Add-a-Lever 464	1028	b. Flow Rate Adjustment Screw	607
		29 Cover - PL black	1521	c. O-ring (0.017)	608
		30 Screw 6-32 x 5/8	2611	d. Flow Rate Adjustment Set	642-00

In the interest of continued product improvement, we reserve the right to change specifications without notice
3178G Multiplex Beverage 2022

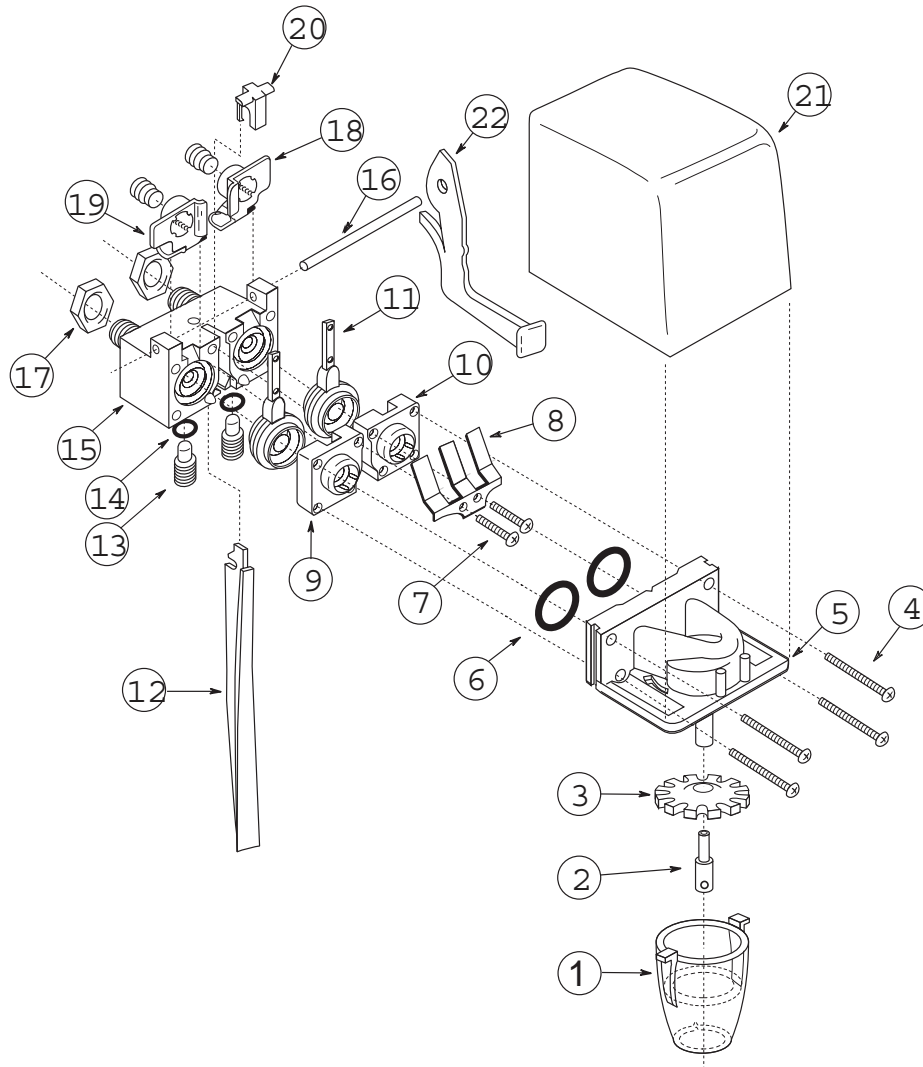
Toll Free: 1.844.724.2273

www.multiplexbeverage.com



VALVE

Flomatic 202 Post-mix Valve Exploded View Drawing



No.	Part No.	Description
1	501-14	Nozzle clear
2	502-02	Syrup diffuser
3	504-00	Diffuser element
4	505	Screw 4-40x1 SS
5	507-10	Diffuser block
6	509	O-ring (112)

No.	Part No.	Description
9	512-01	Orifice cap - left
10	513-01	Orifice cap - right
11	515	Pallet
12	516-07	Lever, black
13	518-00	Screw - Brix adj
14	519	O-ring

No.	Part No.	Description
17	525	Pal nut
18	521-01	Actuator - right
19	522-01	Actuator - left
-	523	Actuator screw
20	517-00	Manual retainer cap
21	1101	Cover

In the interest of continued product improvement, we reserve the right to change specifications without notice
3178G Multiplex Beverage 2022

Toll Free: 1.844.724.2273

www.multiplexbeverage.com



VALVES

McCann's Variety Valves

The Variety Valve enables multiple flavors to be dispensed from each valve, maximizing selections while minimizing dispenser size and counter space. Variety valves come in four styles: autofill, portion control, sanitary lever or push button.

Item	Description
030000069	Valve variety autofill w/mtg block
030000070	Valve variety sanitary lever w/mtg block
030000071	Valve variety push button w/mtg block McCann's
030000072	Valve variety portion control w/mtg block McCann's
27-3104-RETRO	Kit retrofit variety valve sanilever



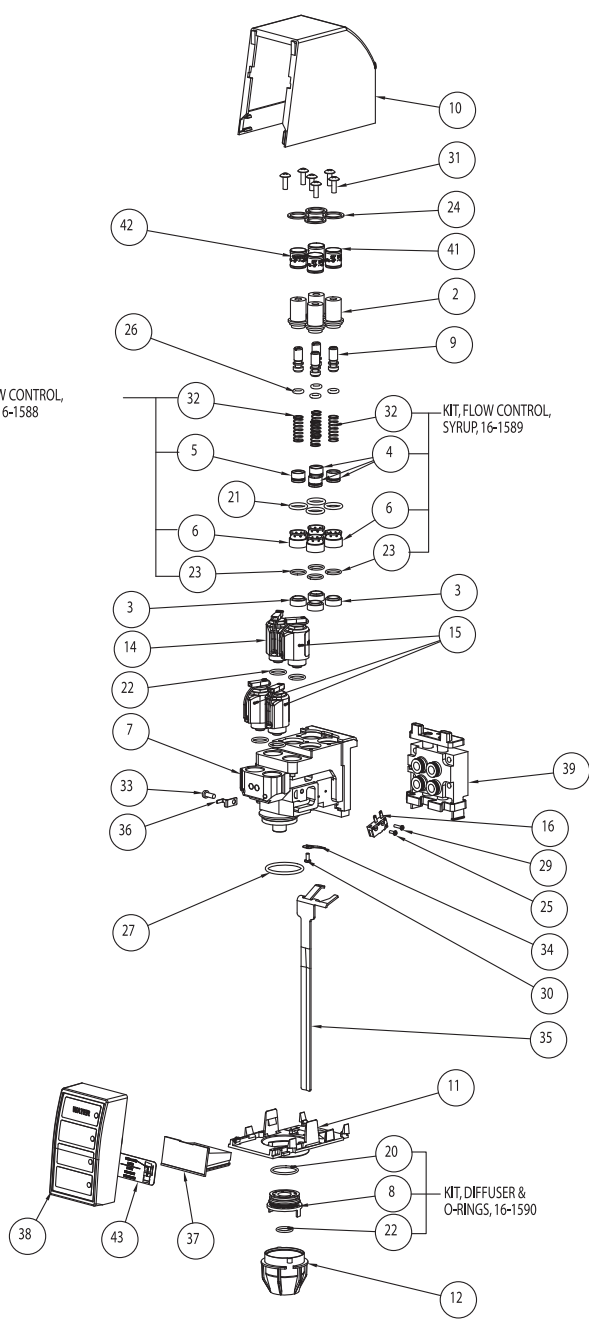
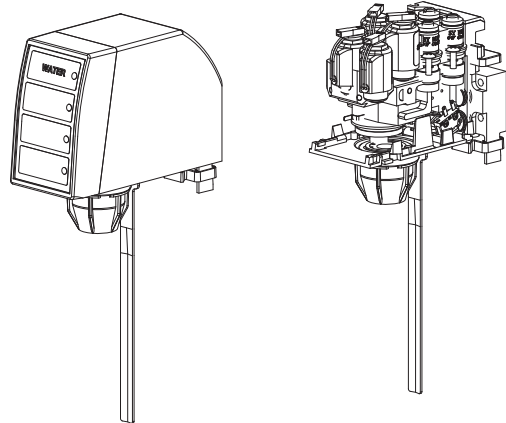
Variety Valve Parts

Item	Description
01-1831	Cover rear variety valve
01-1832	Bottom plate variety valve
01-1833	Nozzle variety valve
05-1711	Solenoid water variety valve
14-5164	Spring lever af variety valve McCann's
14-5169	Lever af variety valve McCann's
14-5222	Lever sl variety valve McCann's
15-2924	Electronic module sl variety valve
15-2941	Adapter plate kit vv retrofit
16-1588	Kit flow cotrol water variety valve
16-1589	Kit flow control syrup variety valve

Item	Description
16-1590	Kit diffuser w/O-rings variety valve
16-1612	Kit af electronics w/front cover variety valve
16-1613	Kit front and rear cover variety valve
030000065	Variety Valve mounting block
010000010	Installation kit two product for variety valve retro
10-0030	Variety valve backblock O-ring
10-0979	O-ring variety valve
15-2892	Electronic module pb variety valve
15-2894	Electronic module autofill variety valve
16-1646	Variety valve decal kit McCann's

VALVES

Variety Valve Exploded View 27-3107



KIT, FLOW CONTROL, WATER, 16-1588

KIT, FLOW CONTROL, SYRUP, 16-1589

KIT, DIFFUSER & O-RINGS, 16-1590

ITEM NO.	QTY	PART NO.	DESCRIPTION
1	1	00-0432	SEALANT RTV-108 CLEAR
2	4	01-0295	HOUSING FLOW CONTROL VARIETY VALVE
3	4	01-1787	SPACER, FLOW CONTROL VARIETY VALVE
4	3	01-1818	PISTON FLOW CONTROL CERAMIC SYRUP .092
5	1	01-1819	PISTON FLOW CONTROL CERAMIC WATER .177
6	4	01-1820	CYLINDER FLOW CONTROL CERAMIC .056 8 HOLES
7	1	01-1948	BLOCK VARIETY VALVE MOLDED SANITARY SELF-SERVE P C
8	1	01-1822	DIFFUSER VARIETY VALVE MOLDED
9	4	09-2535	STEM FLOW CONTROL 3 FLAVOR
10	1	01-1831	COVER REAR VARIETY VALVE
11	1	01-1832	BOTTOM PLATE VARIETY VALVE
12	1	01-1833	NOZZLE VARIETY VALVE
13	1	02-9627	BAG POLY 10 X 18 1 1/2 MIL
14	1	05-1711	SOLENOID WATTMIZER OPERATOR 26 OHMS WATER
15	3	05-1712	SOLENOID WATTMIZER OPERATOR 100 OHMS SYRUP
16	1	05-1713	SWITCH OMRON D2SW-3TS 3A
17	1	07-0280	CARTON VARIETY VALVE 22 5/8 X 15 7/8 X 12 RSC 200#
18	1	07-0281	CARTON INSERT FOR 07-0280 PARTITIONS(3 LG & 4 SM)
19	1	07-0282	CARTON INSERT FOR 07-0280 PADS 15 5/8 X 22 7/16
20	1	10-0007	O-RING BUNA .989 X .07
21	4	10-0010	O-RING EP .487 X .103 SOURCE CONTROL SEE NOTE CODE
22	5	10-0020	O-RING EP .489 X .07 SOURCE CONTROL SEE NOTE CODE
23	4	10-0030	O-RING EP .426 X .07 SOURCE CONTROL SEE NOTE CODE
24	4	10-0231	WASHER FLAT SS .6 ID X .78 OD X .047 THICK
25	1	10-0428	SCREW 2-56 X 1/2 PAN PHILLIPS SS
26	4	10-0921	O-RING .206 X .103
27	1	10-0979	ORING VARIETY VALVE
28	1	10-1161	WIRE TIE(*)CABLE 4 1/8" LONG
29	1	10-1402	SCREW 2-56 X 3/8 ROUND PHILLIPS SS
30	1	10-1713	SCREW 4-48 X 1/4 ROUND PHILLIPS SS
31	1	10-1715	SCREW 8-32 X 1/2 TRUSS PHILLIPS SS
32	6	10-1918	SPRING FLOW CONTROL VARIETY VALVE
33	4	10-1936	SCREW M4 X 10MM CHEESE HEAD SLOTTED 316 SS
34	1	14-5164	SPRING LEVER AF VARIETY VALVE McCann's
35	1	14-5169	LEVER AF VARIETY VALVE McCann's
36	1	14-5263	NOZZLE TERMINAL VARIETY VALVE AUTOFILL
37	1	15-2894	ELECTRONIC MODULE AUTOFILL VARIETY VALVE
38	1	15-2895	FRONT COVER AF, PB, SL VARIETY VALVE
39	1	15-2937	MOUNTING BLOCK VARIETY VALVE
40	1	17-0495	INSTRUCTIONS VARIETY VALVE CRITICALS
41	3	18-0417	DECAL FLOW CONTROL HOUSING SYRUP
42	1	18-0867	DECAL FLOW CONTROL HOUSING WATER
43	1	18-1593	LABEL VARIETY VALVE CONNECTORS
44	1	18-1594	LABEL VARIETY VALVE 27-3102 CARTON
45	1	18-1604	FLAVOR DECAL SHEET VARIETY VALVE

In the interest of continued product improvement, we reserve the right to change specifications without notice
3178G Multiplex Beverage 2022

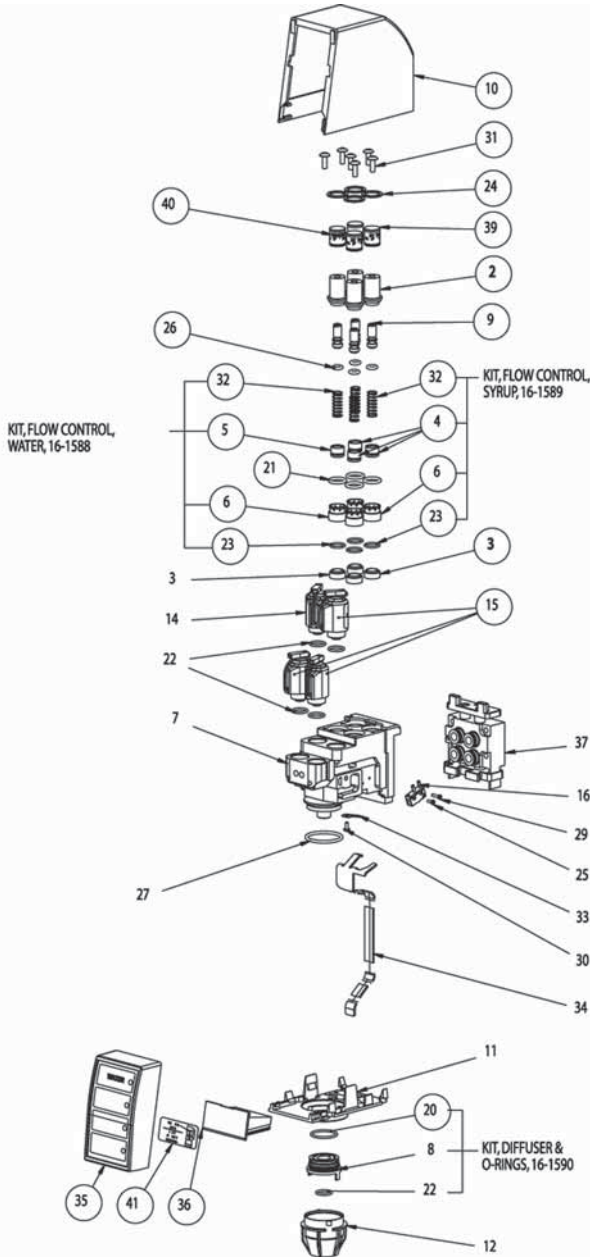
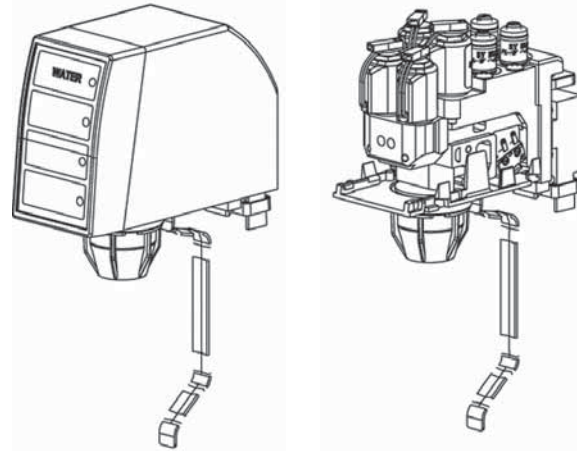
Toll Free: 1.844.724.2273

www.multiplexbeverage.com



VALVES

Variety Valve Exploded



ITEM NO.	QTY	PART NO.	DESCRIPTION
1	1	00-0432	SEALANT RTV-108 CLEAR
2	4	01-0295	HOUSING FLOW CONTROL VARIETY VALVE
3	4	01-1787	SPACER, FLOW CONTROL VARIETY VALVE
4	3	01-1818	PISTON FLOW CONTROL CERAMIC SYRUP .092
5	1	01-1819	PISTON FLOW CONTROL CERAMIC WATER .177
6	4	01-1820	CYLINDER FLOW CONTROL CERAMIC .056 8 HOLES
7	1	01-1948	BLOCK VARIETY VALVE MOLDED SANITARY SELF-SERVE P C
8	1	01-1822	DIFFUSER VARIETY VALVE MOLDED
9	4	09-2535	STEM FLOW CONTROL 3 FLAVOR
10	1	01-1831	COVER REAR VARIETY VALVE
11	1	01-1832	BOTTOM PLATE VARIETY VALVE
12	1	01-1833	NOZZLE VARIETY VALVE
13	1	02-9627	BAG POLY 10 X 18 1 1/2 MIL
14	1	05-1711	SOLENOID WATTMIZER OPERATOR 26 OHMS WATER
15	3	05-1712	SOLENOID WATTMIZER OPERATOR 100 OHMS SYRUP
16	1	05-1713	SWITCH OMRON D2SW-3TS 3A
17	1	07-0280	CARTON VARIETY VALVE 22 5/8 X 15 7/8 X 12 RSC 200#
18	1	07-0281	CARTON INSERT FOR 07-0280 PARTITIONS(3 LG & 4 SM)
19	1	07-0282	CARTON INSERT FOR 07-0280 PADS 15 5/8 X 22 7/16
20	1	10-0007	O-RING BUNA .989 X .07
21	4	10-0010	O-RING EP .487 X .103 SOURCE CONTROL SEE NOTE CODE
22	5	10-0020	O-RING EP .489 X .07 SOURCE CONTROL SEE NOTE CODE
23	4	10-0030	O-RING EP .426 X .07 SOURCE CONTROL SEE NOTE CODE
24	4	10-0231	WASHER FLAT SS .6 ID X .78 OD X .047 THICK
25	1	10-0428	SCREW 2-56 X 1/2 PAN PHILLIPS SS
26	4	10-0921	O-RING .206 X .103
27	1	10-0979	ORING VARIETY VALVE
28	1	10-1161	WIRE TIE(*)CABLE 4 1/8" LONG
29	1	10-1402	SCREW 2-56 X 3/8 ROUND PHILLIPS SS
30	1	10-1713	SCREW 4-48 X 1/4 ROUND PHILLIPS SS
31	6	10-1715	SCREW 8-32 X 1/2 TRUSS PHILLIPS SS
32	4	10-1918	SPRING FLOW CONTROL VARIETY VALVE
33	1	14-5164	SPRING LEVER AF VARIETY VALVE McCann's
34	1	14-5222	LEVER SL VARIETY VALVE McCann's
35	1	15-2895	FRONT COVER AF, PB, SL VARIETY VALVE
36	1	15-2924	ELECTRONIC MODULE SL VARIETY VALVE
37	3	15-2937	MOUNTING BLOCK VARIETY VALVE
38	1	17-0495	INSTRUCTIONS VARIETY VALVE CRITICALS
39	1	18-0417	DECAL FLOW CONTROL HOUSING SYRUP
40	1	18-0867	DECAL FLOW CONTROL HOUSING WATER
41	1	18-1593	LABEL VARIETY VALVE CONNECTORS
42	1	18-1596	LABEL VARIETY VALVE 27-3104 CARTON
43	1	18-1604	FLAVOR DECAL SHEET VARIETY VALVE

In the interest of continued product improvement, we reserve the right to change specifications without notice
3178G Multiplex Beverage 2022

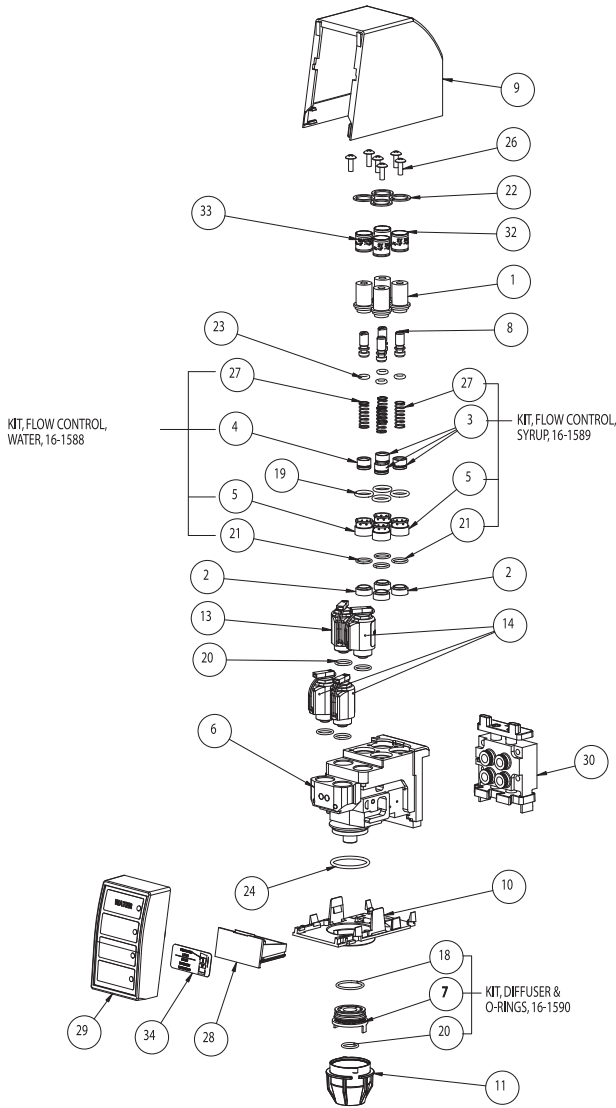
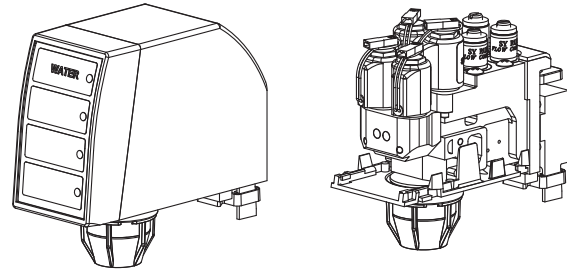
Toll Free: 1.844.724.2273

www.multiplexbeverage.com



VALVES

Variety Valve Exploded View



ITEM NO.	QTY	PART NO.	DESCRIPTION
1	4	01-0295	HOUSING FLOW CONTROL VARIETY VALVE
2	4	01-1787	SPACER, FLOW CONTROL VARIETY VALVE
3	3	01-1818	PISTON FLOW CONTROL CERAMIC SYRUP .092
4	1	01-1819	PISTON FLOW CONTROL CERAMIC WATER .177
5	4	01-1820	CYLINDER FLOW CONTROL CERAMIC .056 8 HOLES
6	1	01-1948	BLOCK VARIETY VALVE MOLDED SANITARY SELF-SERVE P C
7	1	01-1822	DIFFUSER VARIETY VALVE MOLDED
8	4	09-2535	STEM FLOW CONTROL 3 FLAVOR
9	1	01-1831	COVER REAR VARIETY VALVE
10	1	01-1832	BOTTOM PLATE VARIETY VALVE
11	1	01-1833	NOZZLE VARIETY VALVE
12	1	02-9627	BAG POLY 10 X 18 1 1/2 MIL
13	1	05-1711	SOLENOID WATTMIZER OPERATOR 26 OHMS WATER
14	3	05-1712	SOLENOID WATTMIZER OPERATOR 100 OHMS SYRUP
15	1	07-0280	CARTON VARIETY VALVE 22 5/8 X 15 7/8 X 12 RSC 200#
16	1	07-0281	CARTON INSERT FOR 07-0280 PARTITIONS(3 LG & 4 SM)
17	1	07-0282	CARTON INSERT FOR 07-0280 PADS 15 5/8 X 22 7/16
18	1	10-0007	O-RING BUNA .989 X .07
19	4	10-0010	O-RING EP .487 X .103 SOURCE CONTROL SEE NOTE CODE
20	5	10-0020	O-RING EP .489 X .07 SOURCE CONTROL SEE NOTE CODE
21	4	10-0030	O-RING EP .426 X .07 SOURCE CONTROL SEE NOTE CODE
22	4	10-0231	WASHER FLAT SS .6 ID X .78 OD X .047 THICK
23	4	10-0921	O-RING .206 X .103
24	1	10-0979	ORING VARIETY VALVE
25	1	10-1161	WIRE TIE(*)CABLE 4 1/8" LONG
26	6	10-1715	SCREW 8-32 X 1/2 TRUSS PHILLIPS SS
27	4	10-1918	SPRING FLOW CONTROL VARIETY VALVE
28	1	15-2892	ELECTRONIC MODULE PB VARIETY VALVE
29	1	15-2895	FRONT COVER AF, PB, SL VARIETY VALVE
30	1	15-2937	MOUNTING BLOCK VARIETY VALVE
31	1	17-0495	INSTRUCTIONS VARIETY VALVE CRITICALS
32	3	18-0417	DECAL FLOW CONTROL HOUSING SYRUP
33	1	18-0867	DECAL FLOW CONTROL HOUSING WATER
34	1	18-1593	LABEL VARIETY VALVE CONNECTORS
35	1	18-1597	LABEL VARIETY VALVE 27-3105 CARTON
36	1	18-1604	FLAVOR DECAL SHEET VARIETY VALVE

In the interest of continued product improvement, we reserve the right to change specifications without notice
3178G Multiplex Beverage 2022

Toll Free: 1.844.724.2273

www.multiplexbeverage.com



VALVES

Brix Kits and Cups

Item	Description
05-0090	Brix cup 3.5 - 6.0
16-1054	Quality assurance kit McCann's
1092	Brix cup 5:1 and 2:11 through 11:1 Flomatic
1095-S	Kit brix s-tube
94-402-02	Valve kit brix II SHURflo
99-5509	Brix cup 5:1 McCann's
99-9012	Brix cup 5:1 and 5.5:1 McCann's
99-9417	Brix cup 4.75:1 and 5.25:1 Multiplex
99-9418	Special PC brix cup w/decal
99-9426	Brix cup 5:1 and 5.5:1 Coca Cola
99-9440	Brix cup 5 high yield Pepsi
BRIX-SPEED	Brix kit Speedway
BRIX KIT FLOMATIC	Brix kit for Flomatic valves
BRIX#2-SPEED	Brix kit#2 Speedway
MEM-X	Pepsico ratio cup



99-5509 & 99-9012



99-9417



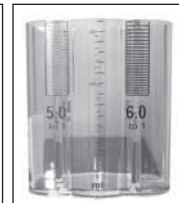
1092



16-1054

Syrup Separators

Item	Description
1089-00	Syrup separator s-tube
1089-02	S-tube seal
1090-00	Separator syrup Flomatic
11577	Syrup separator for UF1/SF1 valve
54-0031	Syrup separator Lancer 3.0
54-0201	Syrup separator Lancer 4.5 oz/sec



99-9440 (both sides)



54-0201



54-0031



1090-00



1089-00



11577

VALVES

Carbonation Testing

Item	Description
2701	Carbonation tester
2701-10A	Thermometer assembly carb tester
2701-12	Gauge 0-30 PSI carb tester
T220	Dial thermometer



2701



T220

Cleaning Tools

Item	Description
905W	Faucet brush w/ 3/4 bristles
22-0017	Nozzle brush Lancer valve
99-0021	Wire brush 1/4 inch



99-0021



905W

Other Tools

Item	Description
1030	Wrench actuator adj
1031	Wrench hex 5/32
99-0050	Solenoid tool
IF35	Super tri-ad screwdriver Towsleys



IF35



1031



1030



99-0050

McCann's is a registered trademark of McCann's Engineering & Manufacturing, a Manitowoc Company, Los Angeles, California

In the interest of continued product improvement, we reserve the right to change specifications without notice
3178G Multiplex Beverage 2022

Toll Free: 1.844.724.2273

www.multiplexbeverage.com

 WELBILT
KITCHENCARE

CO₂ CYLINDERS

CO₂ Valve Parts

Item	Description
1401L	Handwheel lexan
15-3392	CO ₂ tank restrainer
1919A	Handwheel GV32051 valve
G216A	Valve O-ring Sherwood
HAND-2R	Handle CO ₂ 20# red 2 5/8 w/snap ring
P2CLO-CTN	Thread protector CO ₂ plastic
RGR-1	ABC unit/3 piece (09010010C)
SNAP RING	Luxfer snap ring
VPCH/BLUE	Blue/20# luxfer handle



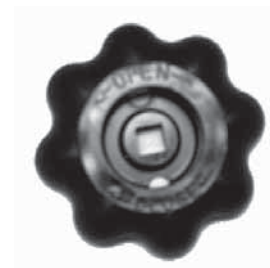
VPCH/BLUE



HAND-2R



RGR-1



1401L

COMPRESSORS

Hermetically sealed Tecumseh compressors work quietly and reliably. 20 month warranty from the date of manufacture.



Item	Description
AEA3425YXA	Compressor 1/5 hp R134A w/cap Tecumseh
AEA4430YXA	Compressor 1/4 hp 134A w/cap Tecumseh
AKA4460YXA	Compressor 1/2 hp 134A w/cap Tecumseh



AE series

AK series

Item	Description
FF112HBXS	Compressor 1/3 hp R134A 36 per skid Embraco



FF series

Dryers and Access Valves

Item	Description
V-103	Dryer
VAX-4	Access valve
CD8406	Access valve 3/8



V-103

Copper Tubing

Item	Description
CPTUBE-4	Tubing copper 1/4 od 50 ft
CPTUBE-6	Tubing copper 3/8 od 50 ft

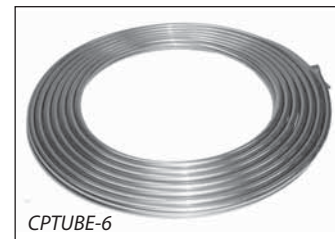


VAX-4

CD8406

Parts and Accessories

Item	Description
85PS110C90	Start capacitor for AEA4440YXA Tecumseh
LP15 KIT	Grommet and sleeve kit Tecumseh



CPTUBE-6

Tecumseh is a registered trademark of Tecumseh Compressor Co.,
division of North America Compressor Group, Tecumseh, Michigan.
Embraco is a registered trademark of Embraco, Joinville, SC, Brazil

In the interest of continued product improvement, we
reserve the right to change specifications without notice
3178G Multiplex Beverage 2022

Toll Free: 1.844.724.2273

www.multiplexbeverage.com



BEVERAGE SYSTEM CLEANERS

Other Beverage System Cleaners

Item	Description
211-SNR	Super no rinse powder cleaner
203-BLC	Cleaner beer line
210-PEN	Cleaner beer line caustic
KAY-5-BAG	Sanitizing solution 1 per
KAY-5	Sanitizing solution 200 case



211-SNR



KAY-5-BAG



203-BLC



210-PEN

Cleaning Accessories

Item	Description
1032-ORA	Nozzle brush 1 inch bristles
99-0021	Wire brush 1/4 inch
905W	Faucet brush w/ 3/4 bristles



99-0021



905W



1032-ORA